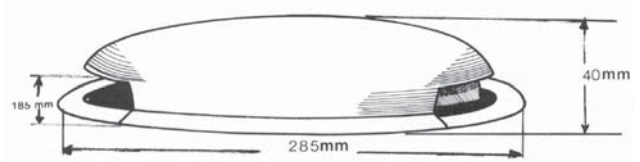


Ventilators

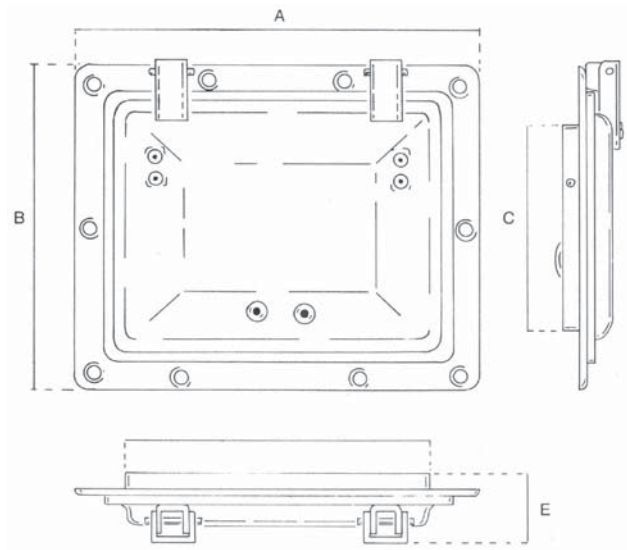


7.33183

Exterior Muller vent. Available in white **ABS** plastic only. To suit up to 130mm diameter aperture.



Solid Top Ventilator



- Lid:** Black jappanned mild steel pressing formed to ensure rigidity and flatness.
- Finger Pull:** 3.5mm diameter, wire formed ring.
- Mechanism:** Unique coil spring action giving positive hold in both open and closed position. There is also considerable protection against 'over-opening'.
- Flange:** One piece aluminium pressure die-casting.
- Weather Seal:** Sponge rubber.

| Part No. | A | B | C | D | E | Nom.Size |
|-------------------|-----|-----|-----|-----|----|-------------|
| <u>7.0623/001</u> | 265 | 214 | 164 | 215 | 31 | 8.5" x 6.5" |
| <u>7.0623/003</u> | 238 | 147 | 102 | 193 | 31 | 7.5/8" x 4" |
| <u>7.0623/002</u> | 337 | 261 | 203 | 279 | 31 | 11" x 8" |

