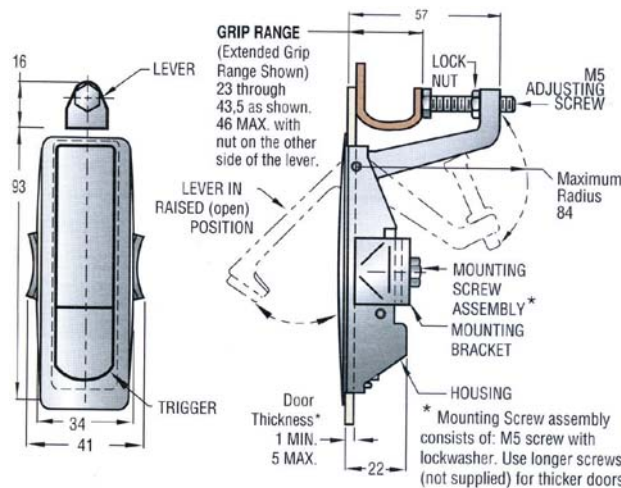
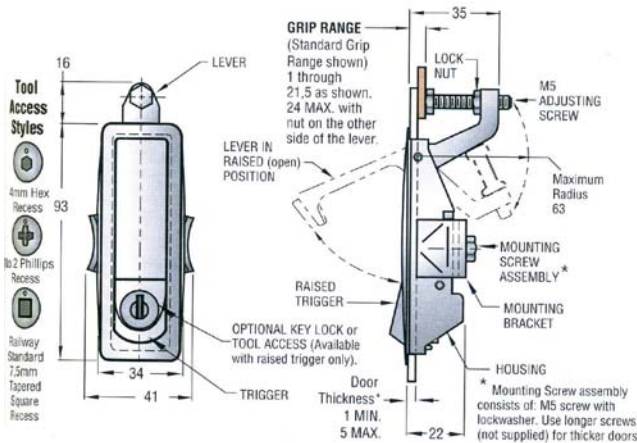


## C2 Latches

- Low profile when latched.
- Raised or flush trigger button.
- Key-locking version available.
- Latch and handle in one assembly.
- Single-hole installation.
- Easy Grip Adjustment
- 4 access styles.



### Material and Finish

**Housing, lever and trigger:** Die-cast zinc, black powder coated or textured chrome.

**Springs:** 302 Stainless Steel, natural.

**Roll pins:** 420 Stainless Steel, passivated.

**Screws and Lock nut:** Steel, zinc alloy plate, bright chromate, plus sealer

**Lock washer:** Spring steel, zinc alloy plated.

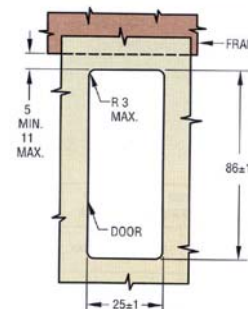
**Bracket:** 1010 Steel zinc alloy plate, bright chromate, plus sealer. **Tool access/lock plug:** Die-cast zinc, chrome plated or black powder coated.

**Keys:** Brass, nickel plated.

### Product Strength Guidelines:

Maximum recommended pawl load (in closed position): 1100 N. Recommended pawl load (for actuation): 200 N.

### Panel Preparation



### PART NUMBERS

TRIGGER STYLE	Grip Range 1 to 24mm	Grip Range 23 to 46mm
KEYLOCKABLE	<u>4.C 2-32-25</u>	<u>4.C 2-33-25</u>
WITHOUT LOCK	<u>4.C 2-32-15</u>	<u>4.C 2-33-15</u>
FLUSH TRIGGER	<u>4.C 2-32-35</u>	<u>4.C 2-33-35</u>

MATT BLACK FINISH – OTHER FINISHES AVAILABLE ON REQUEST.



HEAD OFFICE  
T: +61 02 8887 1200  
F: +61 02 8887 1249  
E: export@uesint.com

NEW SOUTH WALES  
T: +61 02 8787 6500  
F: +61 02 8787 6599  
E: uesnsw@uesint.com

QUEENSLAND  
T: +61 07 3623 5800  
F: +61 07 3865 5605  
E: uesqld@uesint.com

VICTORIA  
T: +61 03 8787 3100  
F: +61 03 8787 3101  
E: uesvic@uesint.com

SOUTH AUSTRALIA  
T: +61 08 8340 1599  
F: +61 08 8340 4423  
E: uessa@uesint.com

WESTERN AUSTRALIA  
T: +61 08 9249 2211  
F: +61 08 9249 2022  
E: ueswa@uesint.com

NORTHERN TERRITORY  
T: +61 08 8946 4500  
F: +61 08 8946 4555  
E: uesnt@uesint.com

NEW ZEALAND  
T: +64 09 633 4019  
F: +64 09 633 0249  
E: uesnz@uesint.com