

UES Drawer Slides are easy to install and available in various lengths to suit a range of applications. Perfect for office furniture, kitchen furniture, home cabinets, utilities & trailers, industrial workstations, medical equipment.

- Perfect for heavy duty applications and sheet metal
- Easy to install
- Additional ball bearings for a super smooth glide
- Lockable

Material

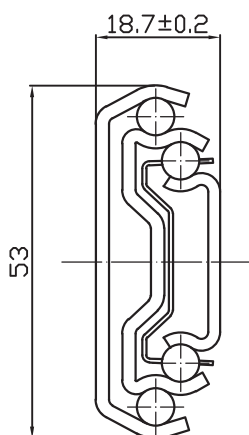
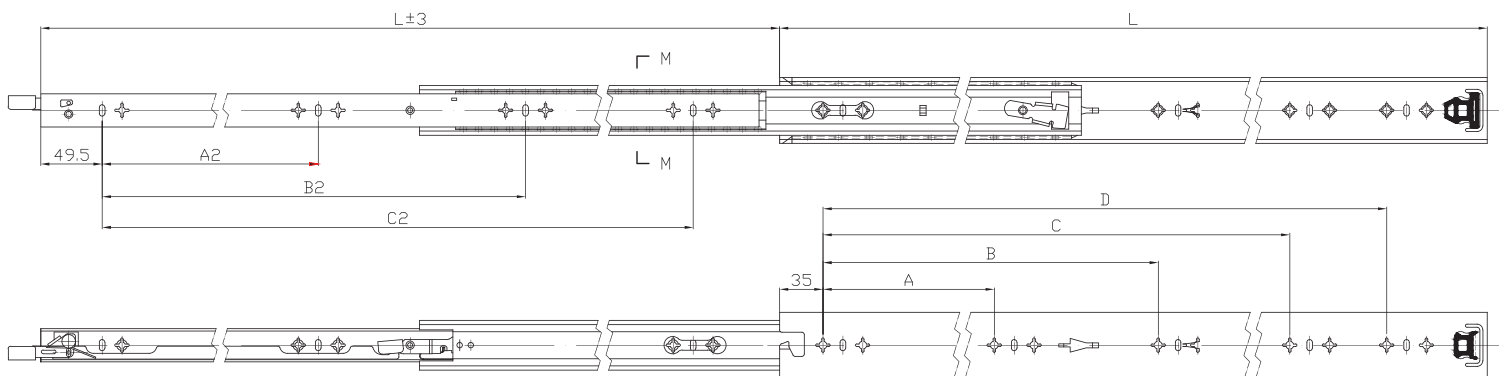
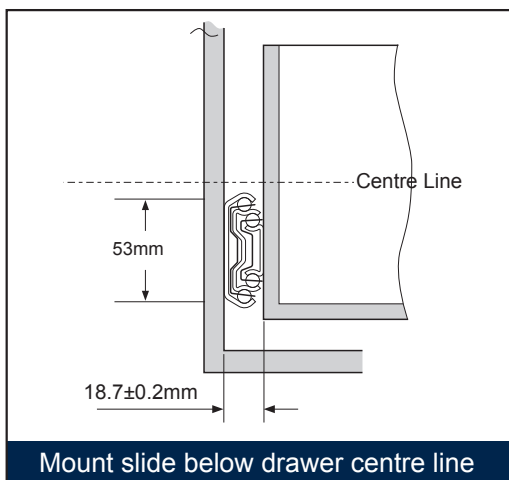
Steel

Finish

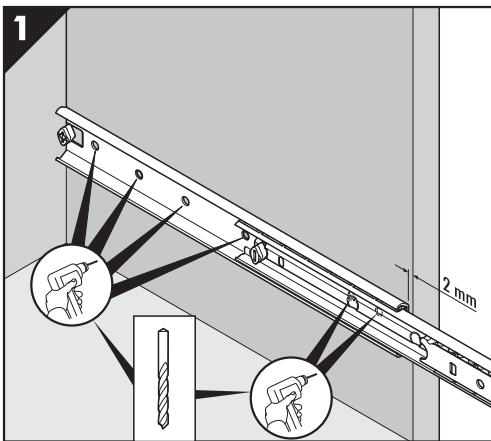
Zinc Plated

Features

- Full extension
- Profile: 53mmX18.7mm

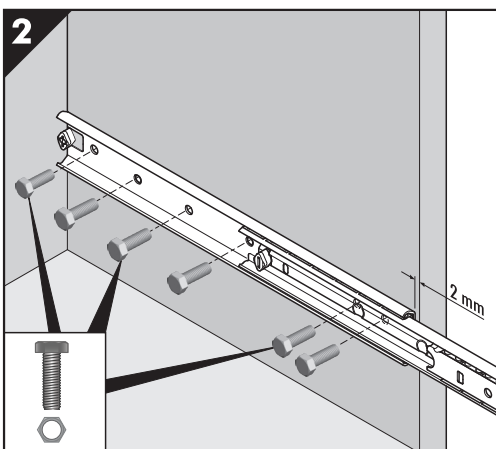


SIZE	L	A	B	C	D	A2	B2	C2
14"	350	224	/	/	/	256	/	/
16"	400	288	/	/	/	288	/	/
18"	450	192	320	/	/	96	320	/
20"	500	224	384	/	/	128	384	/
22"	550	256	416	/	/	160	416	/
24"	600	288	480	/	/	160	480	/
26"	650	288	512	/	/	192	384	512
28"	700	320	576	/	/	224	416	576
30"	750	192	384	608	/	224	448	608
32"	800	192	384	544	672	224	480	672
34"	850	192	416	576	736	224	512	736
36"	900	192	448	608	768	224	512	768
38"	950	192	480	640	832	224	576	832
40"	1000	192	480	672	864	224	640	864
42"	1050	192	512	672	896	224	640	896



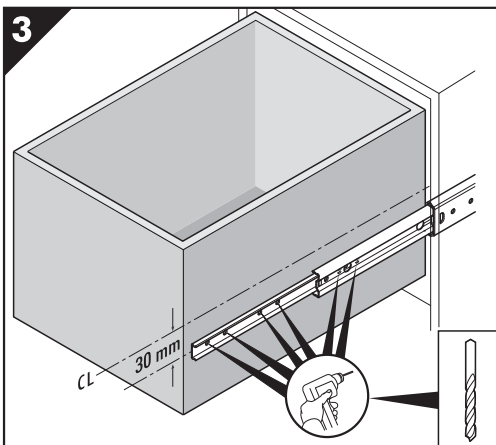
Marking holes to fix the external member of the slide to the cabinet.
When marking hole placements you **MUST NOT** drill through the slide holes during installation. Doing this will create metal filings which lodge in the tracks resulting in rough running and ultimately, failure of the slides.

Hole locations and quantity are indicative purpose only.



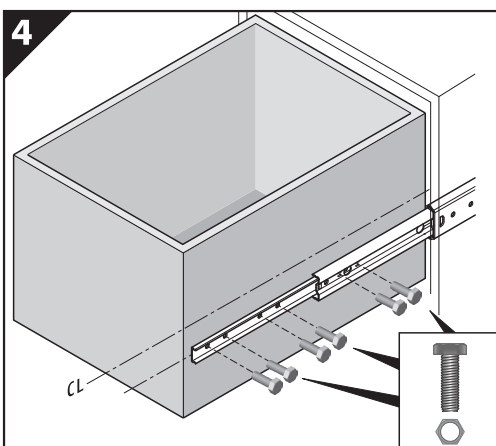
Affix nuts & bolts to the slides inside of the cabinet unit through slide holes and make sure both slides are mounted vertically and horizontally parallel. Use as many nuts & bolts as you think is necessary for the cabinet unit.

The slides can also be welded to the cabinet depending on its application.



Marking holes to fix the internal member of the slide to the drawer. When marking hole placements you **MUST NOT** drill through the slide holes during installation. Doing this will create metal filings which lodge in the tracks resulting in rough running and ultimately, failure of the slides.

Hole locations and quantity are indicative purpose only.



Affix nuts and bolts to the drawer unit. The drawer should slide in without issue.

Once this is done, repeat starting from step 1 for all remaining drawers.

Our slides are designed to be mounted horizontally and paired side by side. Mounting them vertically one above the other or in a flat position will void the warranty.

The slides can also be welded to the cabinet depending on its application.