

45kg Standard Drawer Slide

www.goliathhardware.com.au



Goliath Drawer Slides are easy to install and available in various lengths to suit a range of applications. Perfect for bathroom vanity, kitchen furniture, office furniture, home cabinet.

- Weight rated to 45kg
- Easy to install
- Additional ball bearings for a super smooth glide
- Screws included

Material

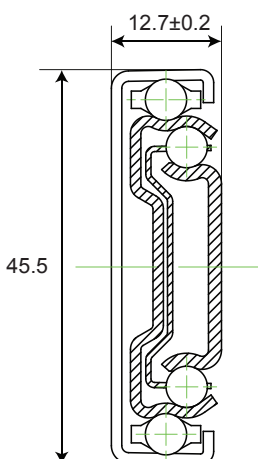
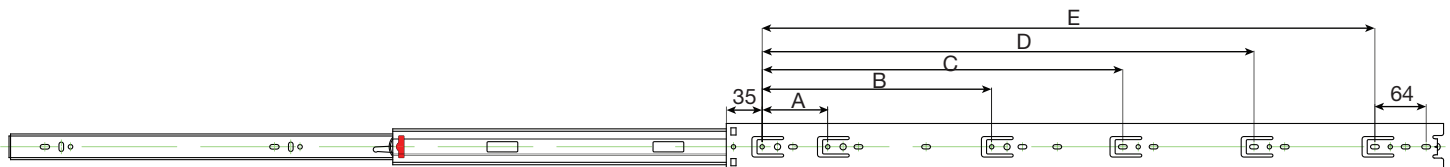
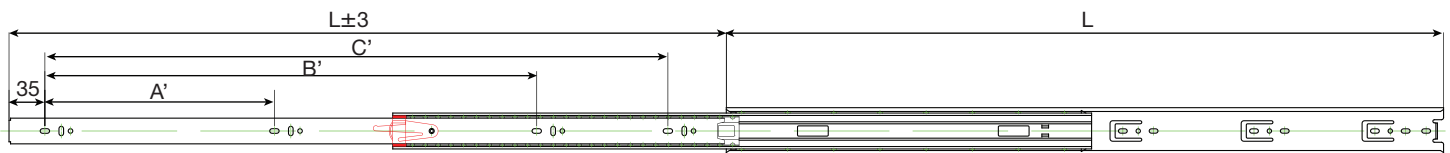
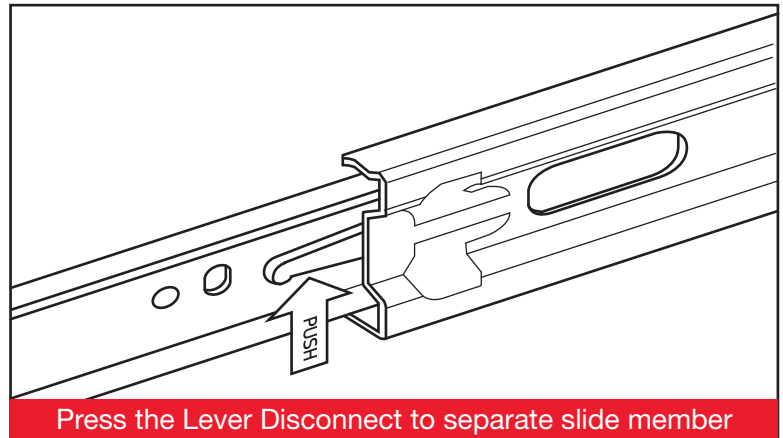
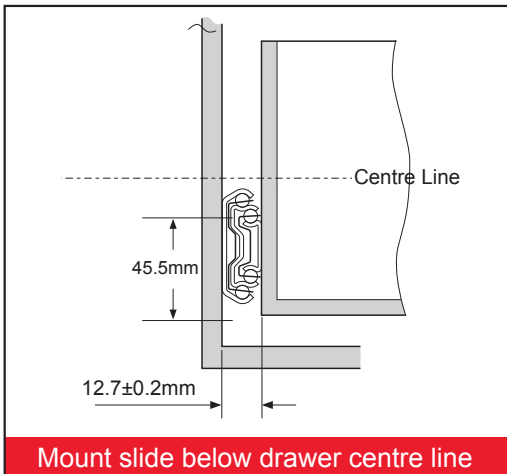
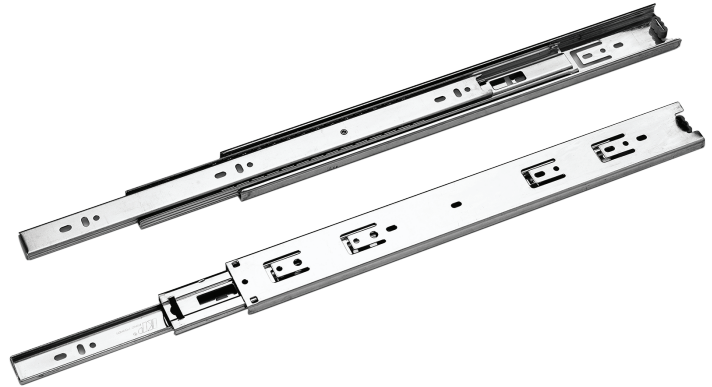
Steel

Finish

Zinc Plated

Features

- 45kg weight rating
- Full extension
- Profile: 45.5mmX12.7mm



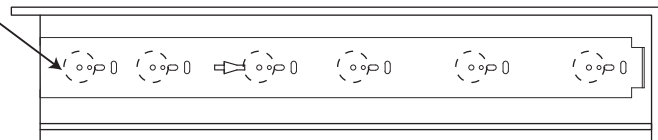
	L	A	B	C	D	E	A'	B'	C'
10"	250	160						160	
12"	300	64	224				96	192	
14"	350	64	224				128	256	
16"	400	64	224	288			128	320	
18"	450	64	224	352			160	352	
20"	500	64	224	352	416		192	416	
22"	550	64	224	352	416		224	448	
24"	600	64	224	352	480		224	512	
26"	650	64	224	352	512		256	544	
28"	700	64	224	352	480	608	288	608	
30"	650	64	224	352	480	608	288	640	
32"	700	64	224	352	480	672	256	512	704

Installation Instructions

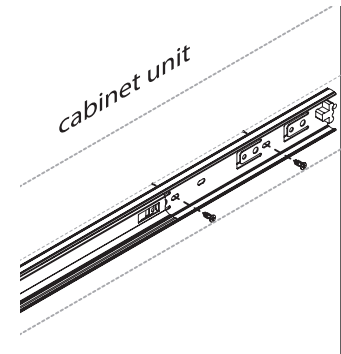
45kg Standard, 45kg Soft Close, 45kg Push To Open, 45kg Self Closing and 15kg Slimline

1. Screw fixing the slides to the inside of the cabinet unit through slide holes and make sure both slides are mounted vertically and horizontally parallel. Use as many screws as you think is necessary for the cabinet unit. Repeat to mount the second drawer slide on the opposite side of the cabinet.

Affix screws via slide holes on the outer slides to the cabinet



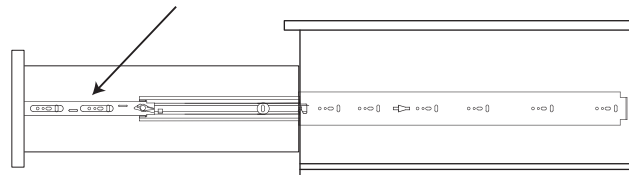
Cabinet Unit



2. Screw fixing the drawer unit to the cabinet unit through slides holes. When marking hole placements you **MUST NOT** drill through the slide holes during installation. Doing this will create metal filings which lodge in the tracks resulting in rough running and ultimately, failure of the slides.

Depending on substrate, stainless steel 'flat head' hex screws with NY-lock nuts or stainless steel rivets are recommended.

Affix screws via slide holes on the inner slides to the drawer



3. With the internal member attached to drawer unit and external member attached to cabinet unit, now it's time to place your drawer into the cabinet. The drawer should slide in without issue. If the slide does not fit, unfasten screws slightly and adjust slide members to correct position. Once this is done, repeat starting from step 1 for all remaining drawers.

Our slides are designed to be mounted horizontally and paired side by side.

Mounting them vertically one above the other or in a flat position will void the warranty.

