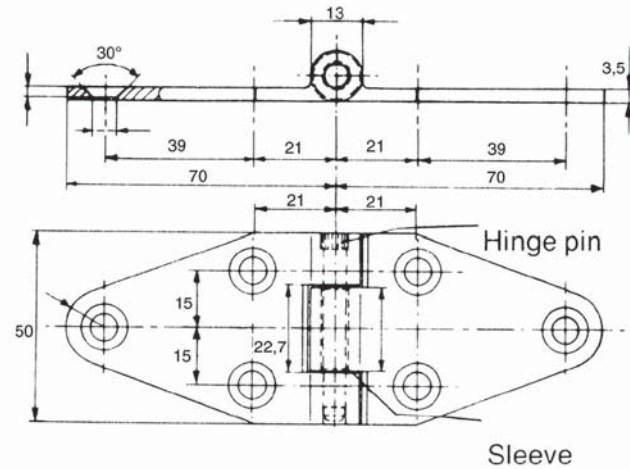
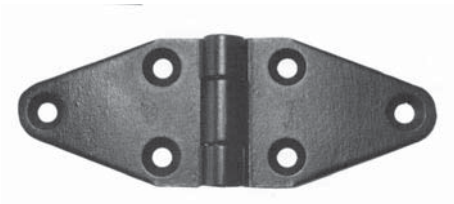
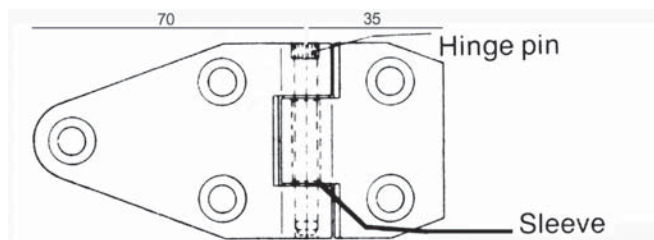


Zinc Plated Hinges - Maintenance Free



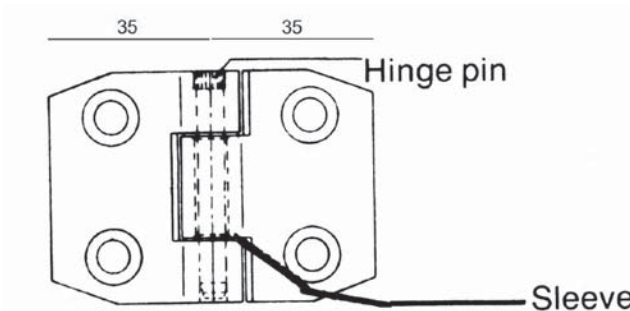
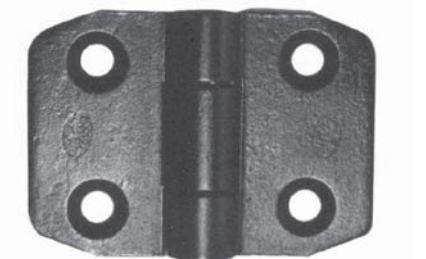
2.601E474

Hinge with fitting holes, maintenance-free, pre-mounted with hinge pin and metaloplast sleeves. Sectional galvanized steel. **Weight:** 166g each.



2.601E476

Hinge with fitting holes, $\varnothing 6.4\text{mm}$. Maintenance-free, pre-mounted with hinge pin and metaloplast sleeve. Sectional galvanized steel. **Weight:** 146g each.



2.601E478

Hinge with fitting holes, $\varnothing 6.4\text{mm}$. Maintenance-free, pre-mounted with hinge pin and metaloplast sleeves. Sectional galvanized steel. **Weight:** 115g each.



| | | | | | | | |
|----------------------|----------------------|----------------------|----------------------|---------------------|---------------------|---------------------|---------------------|
| HEAD OFFICE | NEW SOUTH WALES | QUEENSLAND | VICTORIA | SOUTH AUSTRALIA | WESTERN AUSTRALIA | NORTHERN TERRITORY | NEW ZEALAND |
| T: +61 02 8887 1200 | T: +61 02 8787 6500 | T: +61 07 3623 5800 | T: +61 03 8787 3100 | T: +61 08 8340 1599 | T: +61 08 9249 2211 | T: +61 08 8946 4500 | T: +64 09 633 4019 |
| F: +61 02 8887 1249 | F: +61 02 8787 6599 | F: +61 07 3865 5605 | F: +61 03 8787 3101 | F: +61 08 8340 4423 | F: +61 08 9249 2022 | F: +61 08 8946 4555 | F: +64 09 633 0249 |
| E: export@uesint.com | E: uesnsw@uesint.com | E: uesqld@uesint.com | E: uesvic@uesint.com | E: uessa@uesint.com | E: ueswa@uesint.com | E: uesnt@uesint.com | E: uesnz@uesint.com |