

Vector Compression T-Handles



4.275024-06

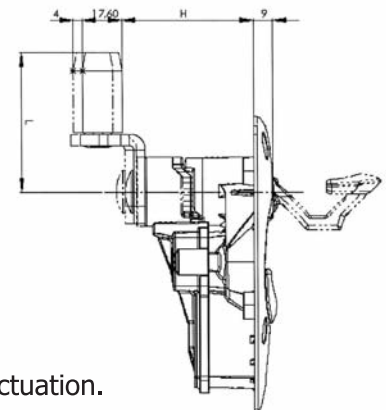
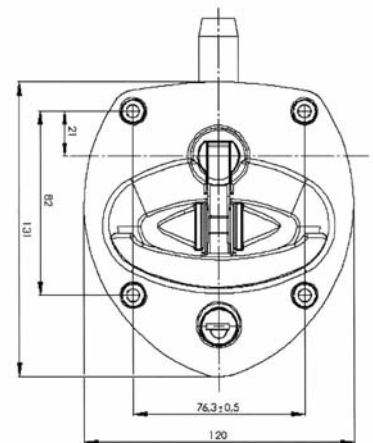
Vector 3 Way Drop T. Black Powder Coated Handle With Adjustable Cam. 3/16 UNC Studs.

4.275063-68-S1

Vector Lock Drop T. Black Zinc Handle 1 Point Adjustable Cam. M5 Studs.

4.275021-06HL

Vector Lock Drop T. Black Zinc Handle 1 Point Adjustable Cam. No Fixing Studs



Features:

- Ergonomic design and styling
- Compression style T-handle.
- Stainless steel, spring loaded padlock eye.
- Compression mechanism supported by roller bearing for smooth actuation.
- High impact BKV 133 plastic latching housing.
- Left to right hand configuration with 180 degree rotation.
- Tamper resistant locking mechanism.
- Can be used with rods to form a 2-point or 3 point latching system.
- Black powder coated handle with black housing.
- Available with chrome plated T-handle and black housing (pictured).

