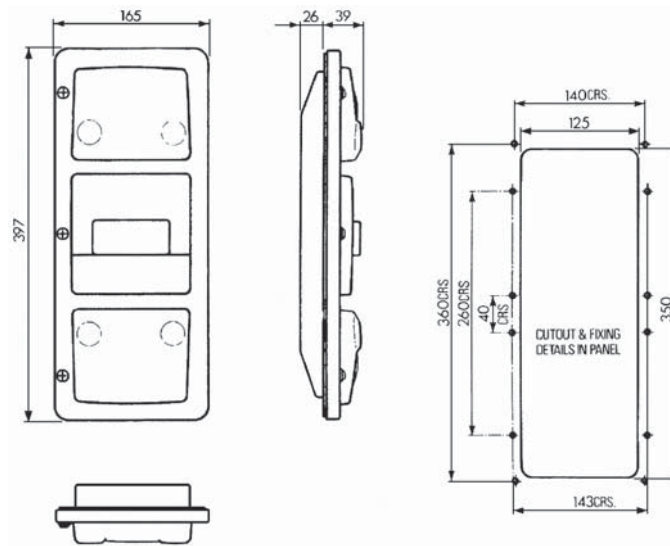
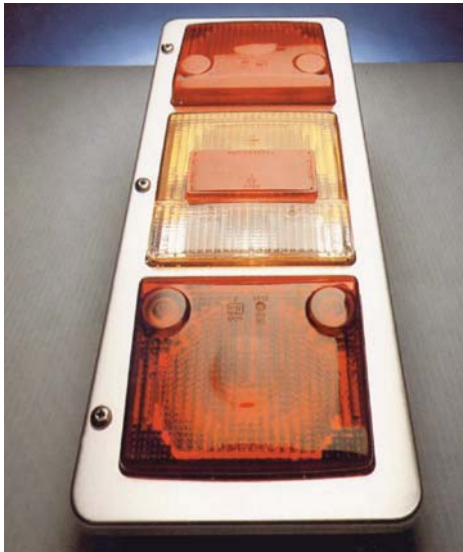


## Tail Light Assembly



10.**343SGE/R** Right Hand rear lamp assy.

10.**343SGE/L** Left Hand rear lamp assy.

A combined rear light unit incorporating rear light, stop light, direction indicator, reverse light and rear fog light together with a reflex reflector. The unit complies with current European Regulations.

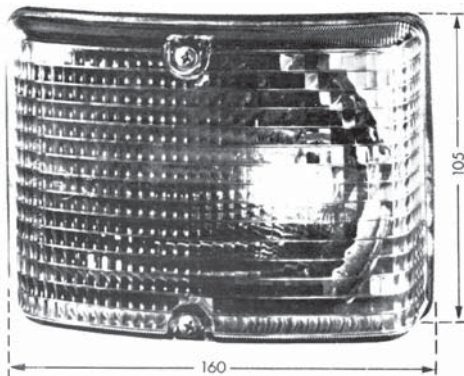
### Features

- Silver anodized, heavy gauge aluminium bezel.
- One piece moulded rubber gasket.
- Polypropylene base.
- Bezel and base hinged together and held by quick release fasteners.
- P.C.B. Wiring.

### Benefits

- Rugged weatherproof construction.
- Extremely strong and durable.
- Rapid access for maintenance.
- High intensity four bulb rear light.
- Also available with LED lamps.

## Turn Indicator Lamp



### 10.152-0003

Amber turn Indicator lamp.

E.g. Daimier - Benz 303 for left and right hand application.

### 10.152-0002

Spare lens. Only for 10.152-003.

**Lens:** 160 x 105mm.

**Installation Depth:** 60mm,

**Protection:** 30mm.

**Lens:** Methacrylate, orange colour

**Reflector:** Chrome - vapor plated steel.

**Base:** Zinc pressure die-casting

**Seal:** Black rubber.

**Weight:** 400g each.

