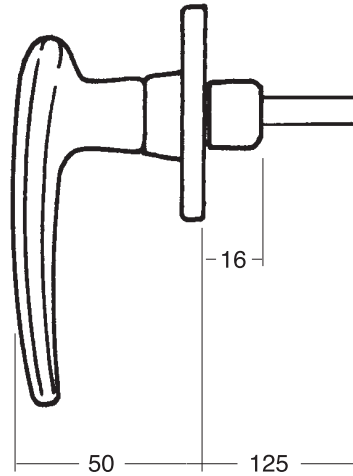
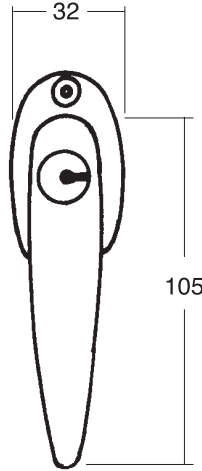


Traditional Handles All-Purpose Handles



These familiar designs have been fitted at various times to passenger cars, trucks, tractors and all types of ancillary equipment.

3.1/16600

Non-locking handle. Fitted with 8mm square shaft.

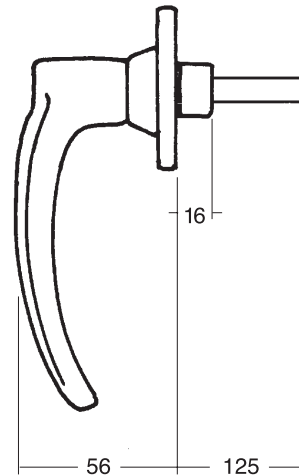
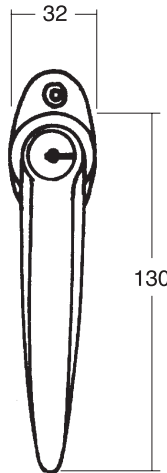
3.1/13029

Locking handle. Fitted with 8mm square shaft. Keyed alike.

3.1/12950

Locking handle. Fitted with 8mm square shaft.

Traditional Handles - Arched Design



Two other long-established designs, both have unusual lengths of 'lever' which make them suitable for special vehicle applications and for 'kit' and 'replicas'. Standard models are as shown. Alternative mounting escutcheons are available, including concealed-fix options.

3.1/14600

Arched handle, non-locking. Available in chrome (44.5mm). Fitted with 8mm square shaft.

3.1/14300

Arched handle, locking. Available in chrome (44.5mm). Fitted with 8mm square shaft.

