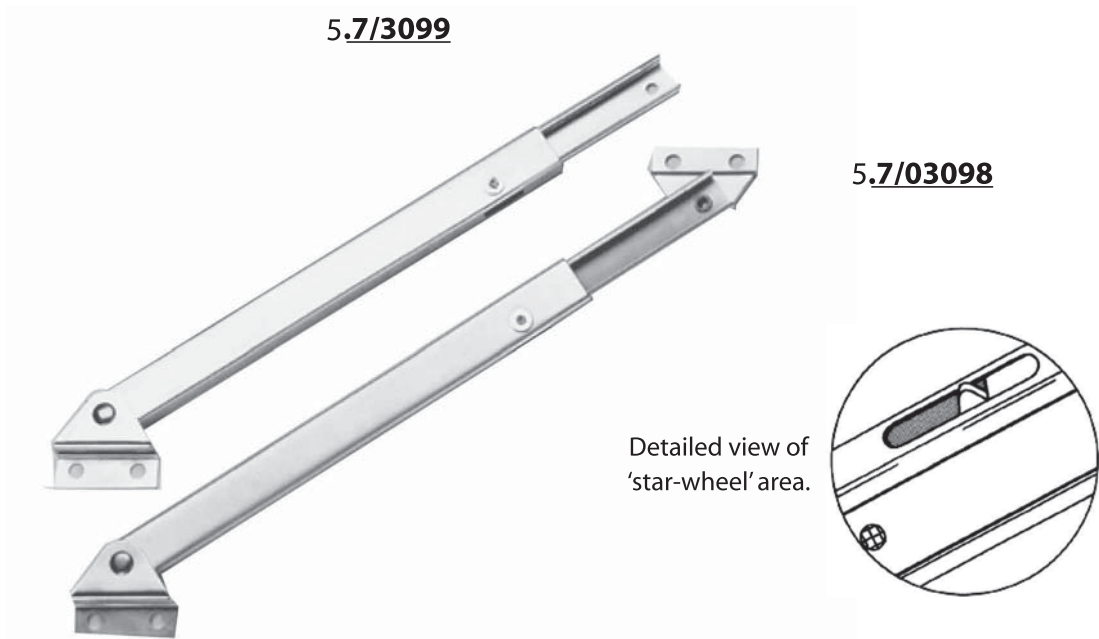


Telescopic Support Stays

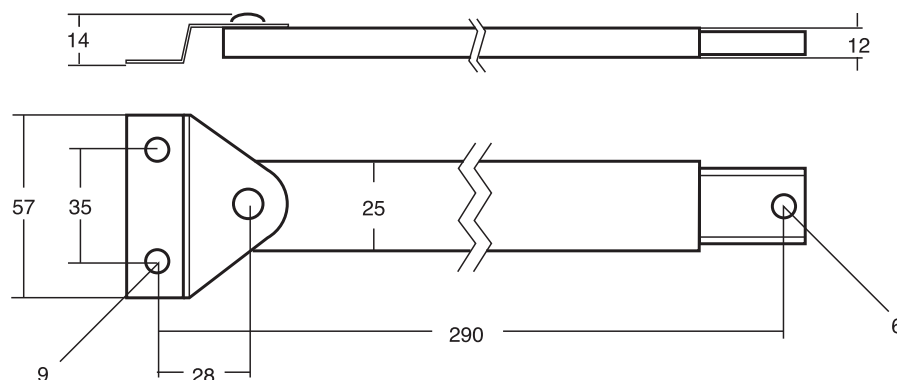


5.7/3099

Stay, 290/495mm. Bottom bracket only.

5.7/03098

Stay, 290/495mm. 2 brackets.



Support Stays 'Star-Wheel' Release

This range of extensible stays provides a simple, inexpensive and long-lasting method of supporting top-hinged doors and hatches. The 'star-wheel' design allows automatic release - useful where two stays are fitted on a very wide panel. Many options are available.

Features:

- Stay extends as door is opened, and locks in the extended position. It is automatically released by a further slight extension, allowing unit to be closed.
- Clear zinc-plated. To special order, yellow passivate or black zinc-plated.
- Standard brackets (7/03094) as illustrated for plant-on fitting.
- Mild steel throughout.



HEAD OFFICE T: +61 02 8887 1200 F: +61 02 8887 1249 E: export@uesint.com	NEW SOUTH WALES T: +61 02 8787 6500 F: +61 02 8787 6599 E: uesnsw@uesint.com	QUEENSLAND T: +61 07 3623 5800 F: +61 07 3865 5605 E: uesqld@uesint.com	VICTORIA T: +61 03 8787 3100 F: +61 03 8787 3101 E: uesvic@uesint.com	SOUTH AUSTRALIA T: +61 08 8340 1599 F: +61 08 8340 4423 E: uessa@uesint.com	WESTERN AUSTRALIA T: +61 08 9249 2211 F: +61 08 9249 2022 E: ueswa@uesint.com	NORTHERN TERRITORY T: +61 08 8946 4500 F: +61 08 8946 4555 E: uesnt@uesint.com	NEW ZEALAND T: +64 09 633 4019 F: +64 09 633 0249 E: uesnz@uesint.com
---	---	--	--	--	--	---	--