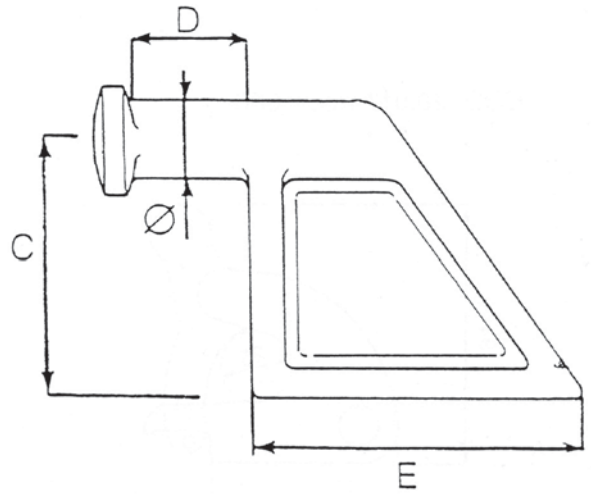
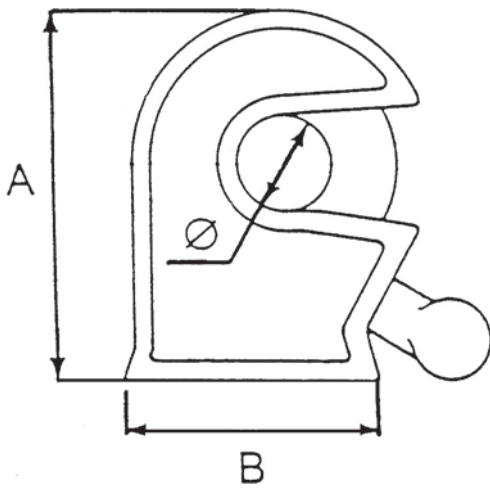
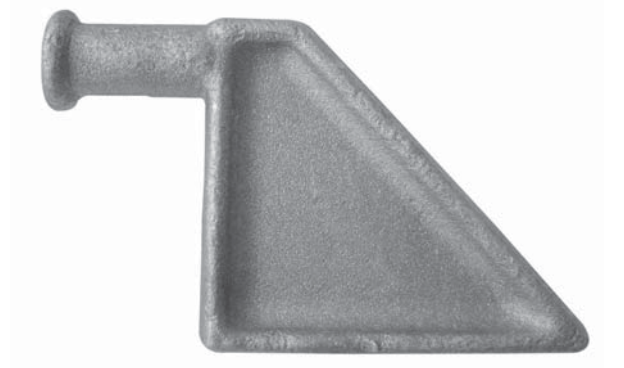


Tail Gate Latches



Latch				
Code	A	B	Ø	kg
8.20-009	115	70	20	1,400
8.20-011	115	70	24	1,380
8.20-013	120	78	30	1,950
8.20-015	140	100	40	2,930

Pivot					
Code	C	D	E	Ø	kg
8.20-010	95	45	125	20	1,150
8.20-012	95	46	126	24	1,200
8.20-014	100	46	130	30	1,700
8.20-016	102	55	132	40	2,400

