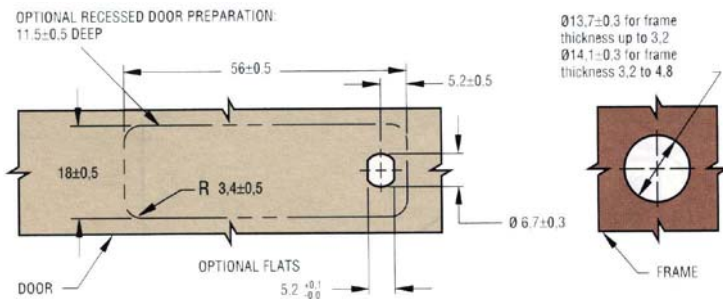
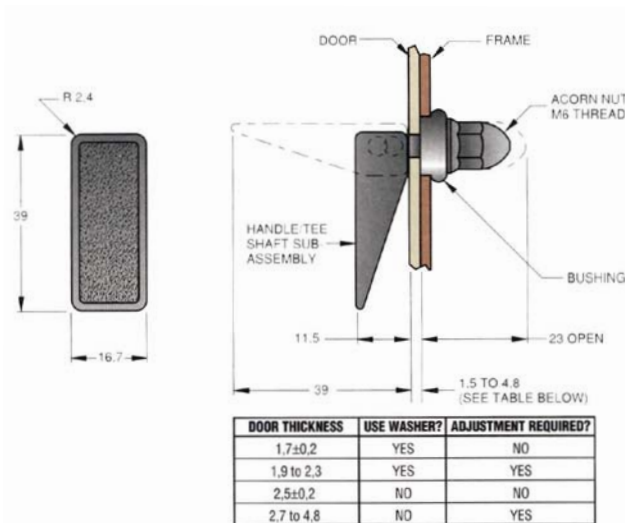


## Swell Latches

- Accommodates misalignment between door and frame.
- Latches in a simple, round hole in any frame thickness, blind applications, metal, plastic, or glass.
- Dampens vibration.
- Latch and handle in one assembly.



### 1.19-51-01

Components bulk packaged.

### 1.19-54-01

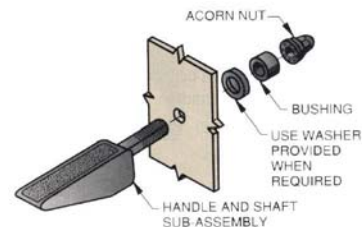
1 assembly per bag.

### Installation Instructions

- Prepare hole in door as shown. Optional flats in door preparation will prevent latch rotation.
- Prepare hole in frame as shown.
- With handle in open (unlatched) position, insert tee shaft through door, then slide washer (if required) over the tee shaft.
- Slide bushing over tee

shaft and secure with acorn nut. For "No adjustment" door thickness, run nut until fully seated on tee shaft [0.5 N·m Max. Torque]. For other door thickness, adjust nut for satisfactory latching action.

- Check the free expanded diameter of bushing. When latched, but not engaged in frame, bushing diameter should be 15.5 minimum to 16.5 maximum.



### Material and Finish:

**Handle:** Nylon, UV stabilised, black.  
**Washer and Acorn Nut:** Nylon, black.  
**Tee Shaft:** Glass filled nylon, black.  
**Bushing:** SBR rubber, black.



HEAD OFFICE  
T: +61 02 8887 1200  
F: +61 02 8887 1249  
E: export@uesint.com

NEW SOUTH WALES  
T: +61 02 8787 6500  
F: +61 02 8787 6599  
E: uesnsw@uesint.com

QUEENSLAND  
T: +61 07 3623 5800  
F: +61 07 3865 5605  
E: uesqld@uesint.com

VICTORIA  
T: +61 03 8787 3100  
F: +61 03 8787 3101  
E: uesvic@uesint.com

SOUTH AUSTRALIA  
T: +61 08 8340 1599  
F: +61 08 8340 4423  
E: uessa@uesint.com

WESTERN AUSTRALIA  
T: +61 08 9249 2211  
F: +61 08 9249 2022  
E: ueswa@uesint.com

NORTHERN TERRITORY  
T: +61 08 8946 4500  
F: +61 08 8946 4555  
E: uesnt@uesint.com

NEW ZEALAND  
T: +64 09 633 4019  
F: +64 09 633 0249  
E: uesnz@uesint.com

