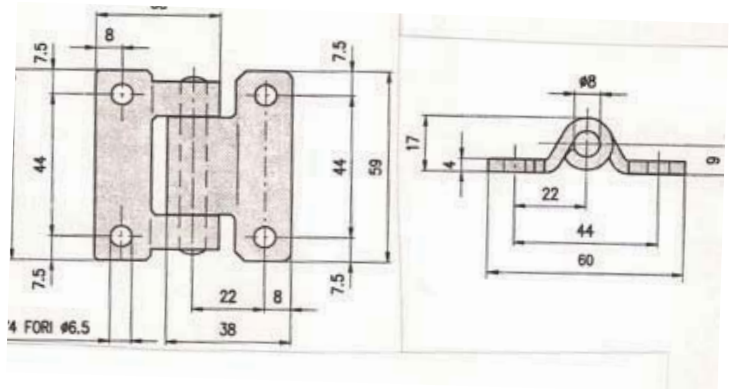


Small Door Flat Hinges

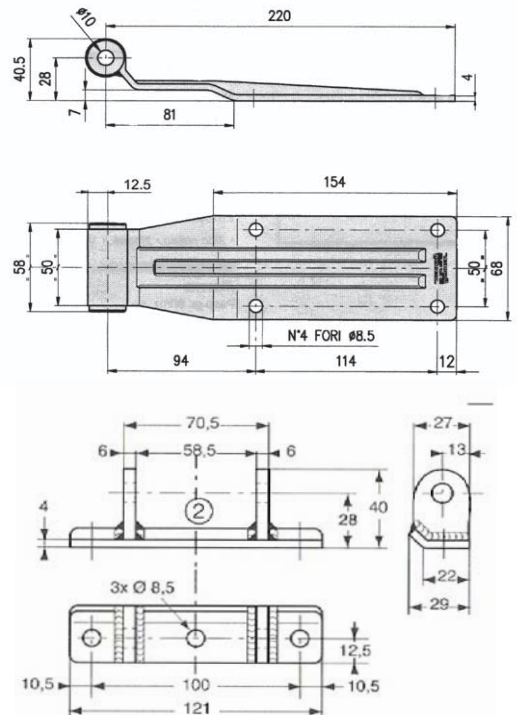
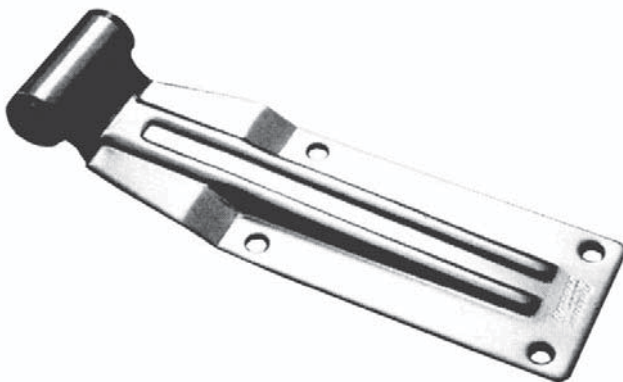


2.ART331.0

Stainless steel hinge, for light duty applications but very robust. **For use on:** electronic/electric enclosures, industrial and commercial cabinets, motor generators, portable compressors, storage cabinets, etc. Mechanically polished. Also available in steel zinc plated.



Rear Door Hinges



2.ART546.0

Stainless steel rear door hinge for light average duty application with pin supported by self-lubricating bushes. **Panel thickness:** max 60mm. Bright hand polished

