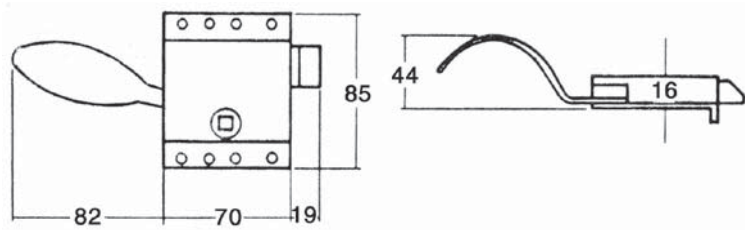
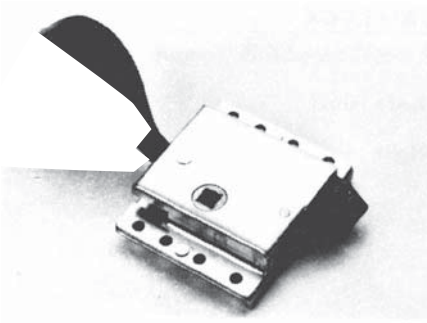


## Plant On slam Latches



Pressed steel case. Malleable iron tongue. PVC dip coated handle.

### 4.2115/001

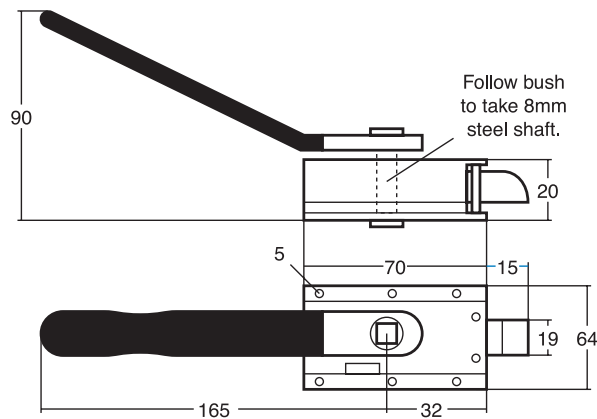
Zinc plated left hand.

Fixing holes 5.5mm, 8mm follower. All non locking, Weight: 380g.

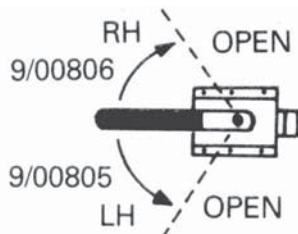
### 4.2115/002

Zinc plated right hand.

## Slam Latches - Heavy Duty



These are plant - on latches with a top - mounted handle, and exceptionally deep steel follow - push to allow operation by a standard 8.0 mm steel shaft (normally closed - off on the inside for visual appearance). Finish is yellow zinc - plated with black plastic - coated handle. ( Chromium - plating to special request only). Four versions are available as



### 4.9/00805

Heavy duty latch, left handed.

### 4.9/00806

Heavy duty latch, right handed.

