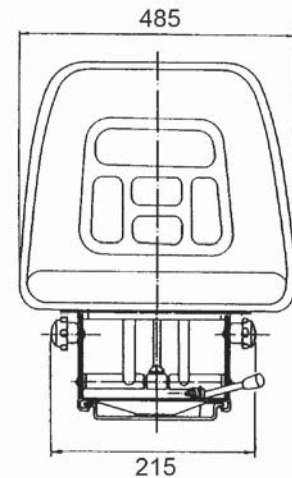
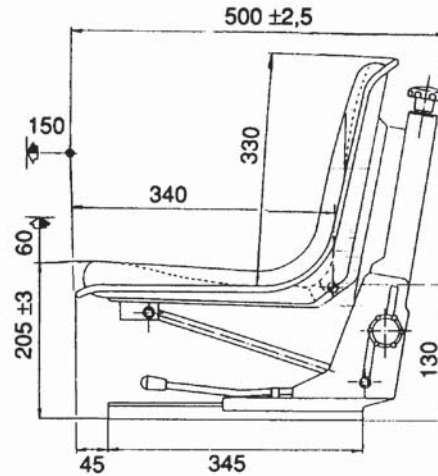


Pan Seat



11.COBO E8087.001

GT500 Pan seat

Technical Features

- Integral wrap-around seat giving the driver a perfect support on undulating ground.
- High seat back incorporating support frame.
- Cold foamed polyurethane upholstery with imitation leather covering.
- Suspension adjustment for weight 50-120 kilos (110-265 lbs).
- Suspension travel: 90mm (3.54 inches).
- Direct hydraulic damper.
- Horizontal slides: 150mm (5.90 inches).
- Vertical adjustment: 60mm (2.36 inches).
- Seat structure and associated components protected to prevent rust. Finger and hand trapping points eliminated.
- Also available with Deutz and John Deere springing system type.
- Also available unsprung and with horizontal slides.



11.COBO M5062.013.01

Suspension base to suit GT500/600.

Suggested Appliances

- Fork Lifts.
- Construction machines.
- Agricultural machines.
- Cabs for cranes.
- Special machines.



HEAD OFFICE

T: +61 02 8887 1200

F: +61 02 8887 1249

E: export@uesint.com

NEW SOUTH WALES

T: +61 02 8787 6500

F: +61 02 8787 6599

E: uesnsw@uesint.com

QUEENSLAND

T: +61 07 3623 5800

F: +61 07 3865 5605

E: uesqld@uesint.com

VICTORIA

T: +61 03 8787 3100

F: +61 03 8787 3101

E: uesvic@uesint.com

SOUTH AUSTRALIA

T: +61 08 8340 1599

F: +61 08 8340 4423

E: uessa@uesint.com

WESTERN AUSTRALIA

T: +61 08 9249 2211

F: +61 08 9249 2022

E: ueswa@uesint.com

NORTHERN TERRITORY

T: +61 08 8946 4500

F: +61 08 8946 4555

E: uesnt@uesint.com

NEW ZEALAND

T: +64 09 633 4019

F: +64 09 633 0249

E: uesnz@uesint.com