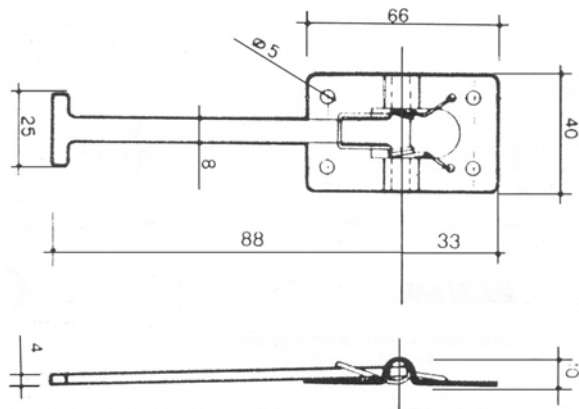
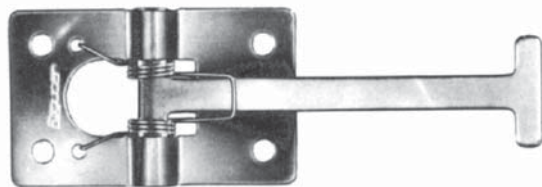
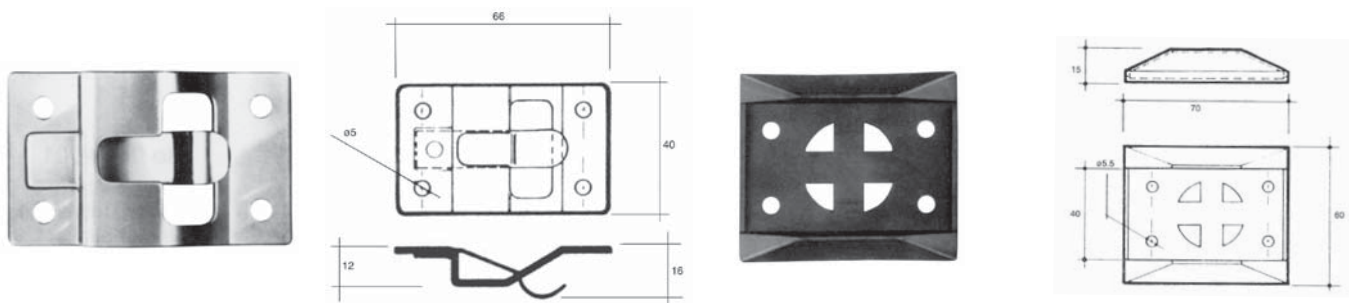


Door Retainer – Stainless Steel



1.ART335.A

Stainless steel door holder. **Weight:** 60g.



1.ART337.A

Stainless steel door catch plate for ART.335.A. **Weight:** 30g.

1.ART339.A

Plastic universal back plate for door holder catch plate. **Weight:** 12g.

Rubber Door Holder

1.0666/001

Female only hard rubber (black).
Minimum load 20kg. Typical load 25kg.

1.0666/002

Male only (common to all). Polypropylene.

1.0776/001

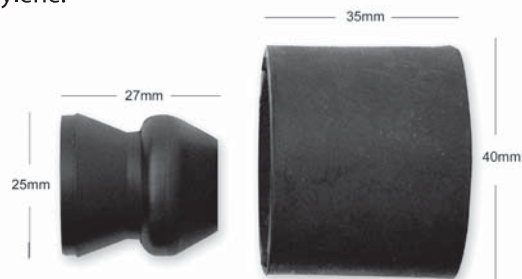
Female only soft rubber (blue).
Minimum load 3kg. Typical load 8kg.

1.0777/001

Female only hard rubber (black).
Fixing plate tapped M6.

1.0778/001

Female only soft rubber (blue).
Fixing plate tapped M6.



Male Portion

Moulded in black polypropylene with a recessed hexagon to take m6 bolt.

Female Portion

Moulded in black rubber with a steel fixing plate moulded into the base.

A 6mm clearance hole is provided for fixing. (Suitable for use in temperatures down to -30°).



HEAD OFFICE
T: +61 02 8887 1200
F: +61 02 8887 1249
E: export@uesint.com

NEW SOUTH WALES
T: +61 02 8787 6500
F: +61 02 8787 6599
E: uesnsw@uesint.com

QUEENSLAND
T: +61 07 3623 5800
F: +61 07 3865 5605
E: uesqld@uesint.com

VICTORIA
T: +61 03 8787 3100
F: +61 03 8787 3101
E: uesvic@uesint.com

SOUTH AUSTRALIA
T: +61 08 8340 1599
F: +61 08 8340 4423
E: uessa@uesint.com

WESTERN AUSTRALIA
T: +61 08 9249 2211
F: +61 08 9249 2022
E: ueswa@uesint.com

NORTHERN TERRITORY
T: +61 08 8946 4500
F: +61 08 8946 4555
E: uesnt@uesint.com

NEW ZEALAND
T: +64 09 633 4019
F: +64 09 633 0249
E: uesnz@uesint.com