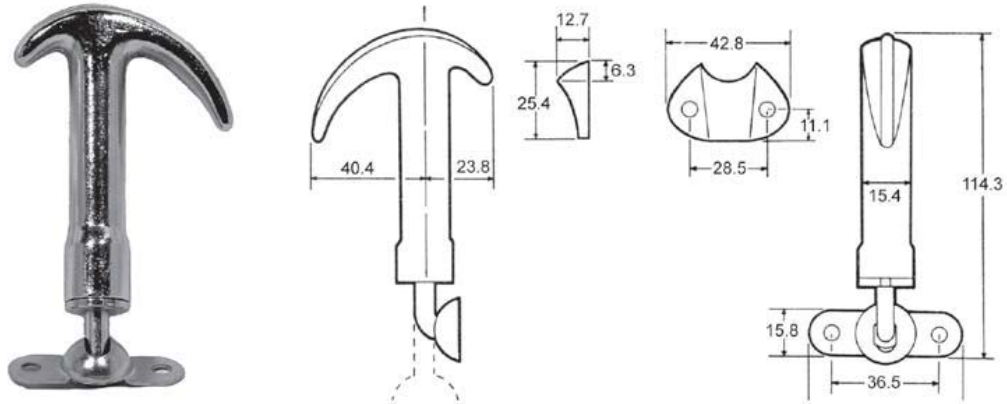


Bonnet Catch – Zinc Die cast



1.7/1157

Curved rod with a raw finish. C/W hook plate.

1.7/1160

Curved rod with a chrome plated finish.
C/W hook plate.

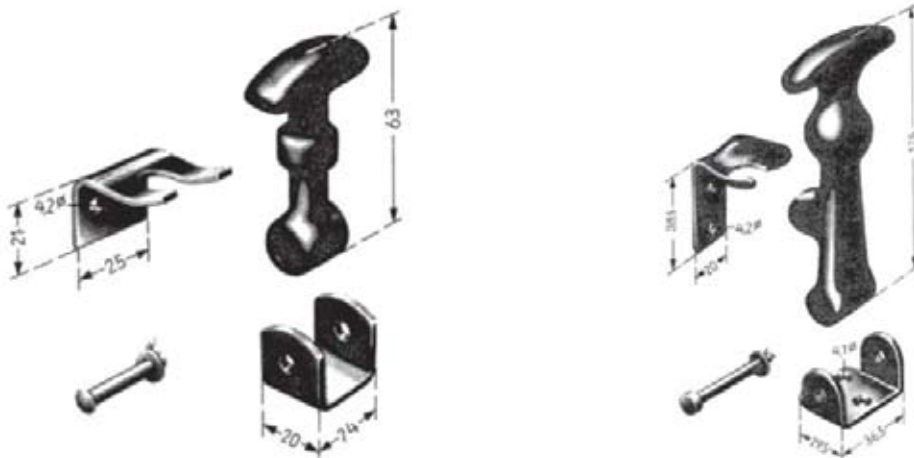
1.7/1161

Straight rod with a raw finish. C/W hook plate.

1.7/10063

Straight rod with a chrome finish.
C/W hook plate.

Rubber Bonnet Catch



1.602-0154

Bonnet catch 63mm with hook.
Black rubber, self-greasing, light resistant.
Foot, bolt, pin, hook: chromatised zinc-plated steel.

1.602-0023 (alternative part **1.9027P**)

Bonnet catch 125mm with hook.
Black rubber, self-greasing, light resistant.
Foot, bolt, pin, hook: chromatised zinc-plated steel.



HEAD OFFICE
T: +61 02 8887 1200
F: +61 02 8887 1249
E: export@uesint.com

NEW SOUTH WALES
T: +61 02 8787 6500
F: +61 02 8787 6599
E: uesnsw@uesint.com

QUEENSLAND
T: +61 07 3623 5800
F: +61 07 3865 5605
E: uesqld@uesint.com

VICTORIA
T: +61 03 8787 3100
F: +61 03 8787 3101
E: uesvic@uesint.com

SOUTH AUSTRALIA
T: +61 08 8340 1599
F: +61 08 8340 4423
E: uessa@uesint.com

WESTERN AUSTRALIA
T: +61 08 9249 2211
F: +61 08 9249 2022
E: ueswa@uesint.com

NORTHERN TERRITORY
T: +61 08 8946 4500
F: +61 08 8946 4555
E: uesnt@uesint.com

NEW ZEALAND
T: +64 09 633 4019
F: +64 09 633 0249
E: uesnz@uesint.com