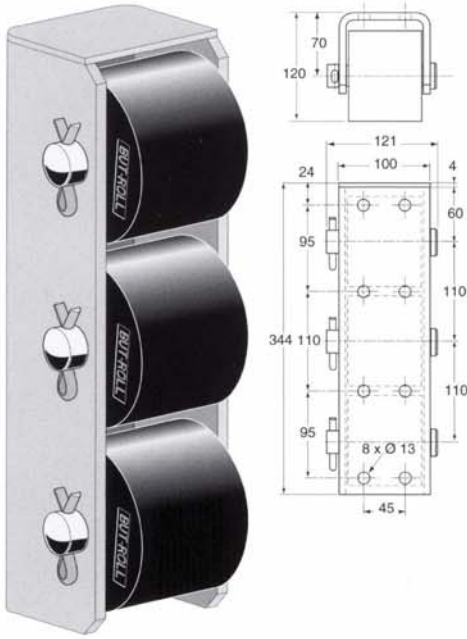


# Roller Buffers

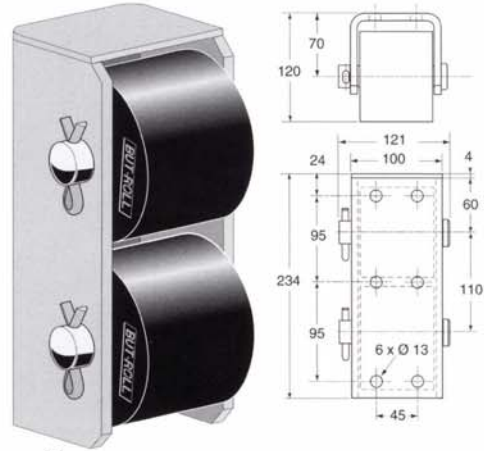


**6.39.50252**  $\Delta$ Kg 9,700

Vertical buffer with 3 cylindrical rollers with self colour steel bracket.

**6.39.50252GA**

Same with galvanized steel bracket.



**6.39.50253**  $\Delta$ Kg 6,600

Vertical buffer with 2 cylindrical rollers with self colour steel bracket.

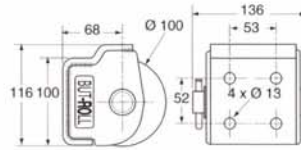
**6.39.50253GA**

Same with galvanized steel bracket.



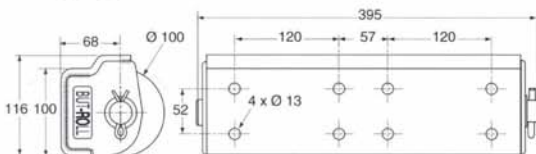
**6.39.50250BU**  $\Delta$ Kg 0,975

Cylindrical roller.



**6.39.50249GA**  $\Delta$ Kg 4,400

Single buffer with 1 cylindrical roller with galvanised steel bracket.

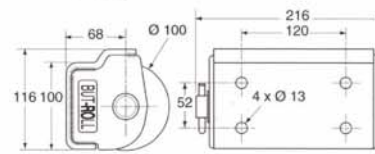


**6.39.50251**  $\Delta$ Kg 11,500

Horizontal buffer with 4 cylindrical rollers with self colour steel bracket.

**6.39.50251GA**

Same with galvanized steel bracket.



**6.39.50250**  $\Delta$ Kg 6,260

Single buffer with 2 cylindrical rollers with self colour steel bracket.

**6.39.50250GA**

Same with galvanized steel bracket.

