

Refrigeration Door Locks



4.CT-1178

Chrome slam latch with offset striker adjustable in 2.5mm increments and inside release handle.

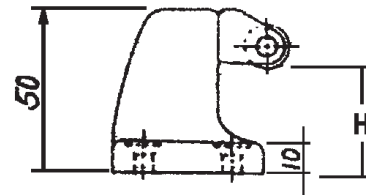
This latch is widely used for large size insulated enclosures, such as cold stores or containerised units, where a surface-mounted latch is preferable to avoid breaching the integrity of the door.

With slam action against a roller striker, this system can be used on doors flush-fit against the frame or offset between 35-70mm height. There is an inside safety 'punch' handle for emergency release.



4.CT-1178/1

Chrome slam latch with flush-mount striker and inside release handle.



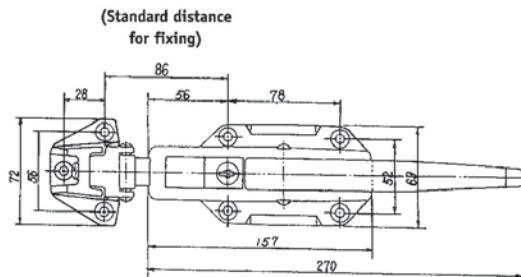
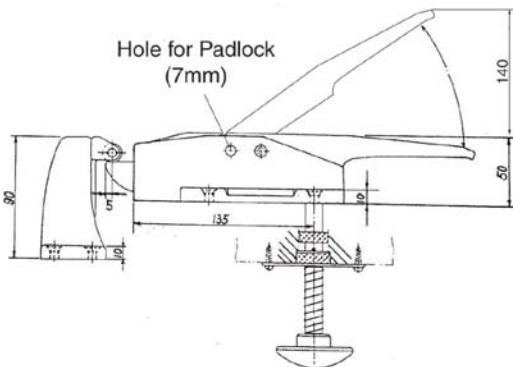
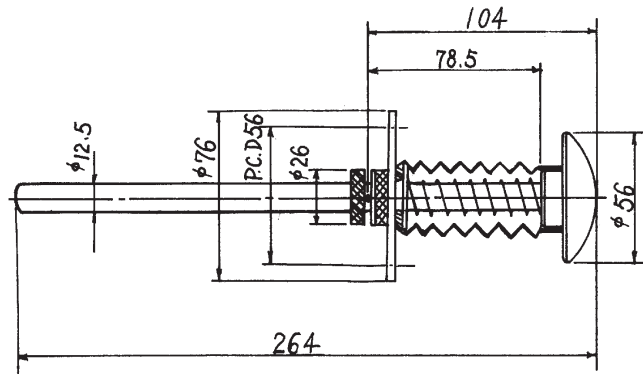
4.CT-1178/1S

Flush Mount Striker.



4.HA-602H

Inside release handle with fluorescent 'mushroom' head.



All mounting holes in latch & striker are 6 mm diameter in 10 mm deep flanges



HEAD OFFICE
T: +61 02 8887 1200
F: +61 02 8887 1249
E: export@uesint.com

NEW SOUTH WALES
T: +61 02 8787 6500
F: +61 02 8787 6599
E: uesnsw@uesint.com

QUEENSLAND
T: +61 07 3623 5800
F: +61 07 3865 5605
E: uesqld@uesint.com

VICTORIA
T: +61 03 8787 3100
F: +61 03 8787 3101
E: uesvic@uesint.com

SOUTH AUSTRALIA
T: +61 08 8340 1599
F: +61 08 8340 4423
E: uessa@uesint.com

WESTERN AUSTRALIA
T: +61 08 9249 2211
F: +61 08 9249 2022
E: ueswa@uesint.com

NORTHERN TERRITORY
T: +61 08 8946 4500
F: +61 08 8946 4555
E: uesnt@uesint.com

NEW ZEALAND
T: +64 09 633 4019
F: +64 09 633 0249
E: uesnz@uesint.com