

Recess Plates And 'T' Handles

An extremely useful set that allows the large 'T' handle to be mounted so that the 'arms' of the handle do not project beyond surface of the panel. The steel pan has four countersunk fixing holes and is normally black power-coated, a moulded gasket is supplied as standard. Handles are chromium plated as standard and rotates through 180°, supplied as a box set.



3.9/00184

Recess 'T' set, locking.
Black powder coated pan.

3.9/00185

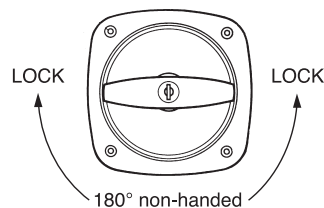
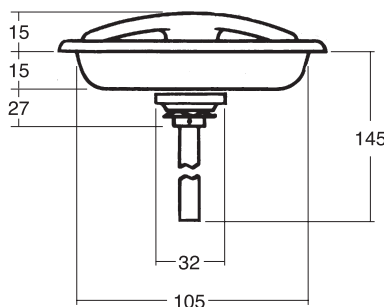
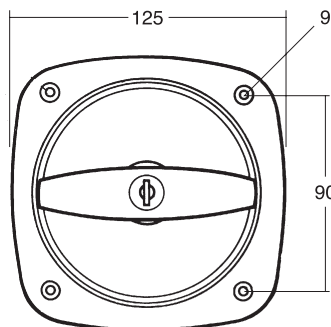
Recess 'T' set, non-locking.
Black powder coated pan.

3.9/00186

Recess 'T' set, FS 880.
Black powder coated pan.

3.9/00186PSV

Recessed 'T' set with
interior release assembly.



HEAD OFFICE
T: +61 02 8887 1200
F: +61 02 8887 1249
E: export@uesint.com

NEW SOUTH WALES
T: +61 02 8787 6500
F: +61 02 8787 6599
E: uesnsw@uesint.com

QUEENSLAND
T: +61 07 3623 5800
F: +61 07 3865 5605
E: uesqld@uesint.com

VICTORIA
T: +61 03 8787 3100
F: +61 03 8787 3101
E: uesvic@uesint.com

SOUTH AUSTRALIA
T: +61 08 8340 1599
F: +61 08 8340 4423
E: uessa@uesint.com

WESTERN AUSTRALIA
T: +61 08 9249 2211
F: +61 08 9249 2022
E: ueswa@uesint.com

NORTHERN TERRITORY
T: +61 08 8946 4500
F: +61 08 8946 4555
E: uesnt@uesint.com

NEW ZEALAND
T: +64 09 633 4019
F: +64 09 633 0249
E: uesnz@uesint.com