

## Quarter Turn Slam Lock

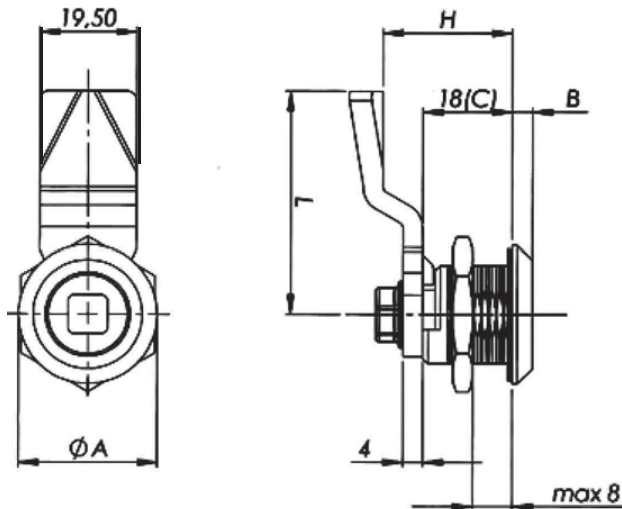
4.**QT18SLL-8S** Left Hand

4.**QT18SLR-8S** Right Hand

This Slam Action Lock makes it possible to close the door without using the key.



## Quarter Turn Stainless Steel



4.**QT18-8S-SS** 18mm Quarter Turn with 8S Insert and 32mm H Dimension.

## STAINLESS STEEL QUARTER-TURN FASTENER

Stainless steel quarter-turn fastener for applications where high corrosion resistance is required. Acid proof steel quality for extreme environments. The fastener can be installed assembled with cam. Handles and knobs can be used in combination with insert square 8/ M6.

UES CARRY A LARGE RANGE OF INDIVIDUAL STAINLESS STEEL COMPONENTS PROVIDING A VARIETY OF GRIP RANGES AND KEY TYPES. PROVIDE YOUR BRANCH WITH YOUR EXACT REQUIREMENTS.



HEAD OFFICE  
T: +61 02 8887 1200  
F: +61 02 8887 1249  
E: export@uesint.com

NEW SOUTH WALES  
T: +61 02 8787 6500  
F: +61 02 8787 6599  
E: uesnsw@uesint.com

QUEENSLAND  
T: +61 07 3623 5800  
F: +61 07 3865 5605  
E: uesqld@uesint.com

VICTORIA  
T: +61 03 8787 3100  
F: +61 03 8787 3101  
E: uesvic@uesint.com

SOUTH AUSTRALIA  
T: +61 08 8340 1599  
F: +61 08 8340 4423  
E: uessa@uesint.com

WESTERN AUSTRALIA  
T: +61 08 9249 2211  
F: +61 08 9249 2022  
E: ueswa@uesint.com

NORTHERN TERRITORY  
T: +61 08 8946 4500  
F: +61 08 8946 4555  
E: uesnt@uesint.com

NEW ZEALAND  
T: +64 09 633 4019  
F: +64 09 633 0249  
E: uesnz@uesint.com