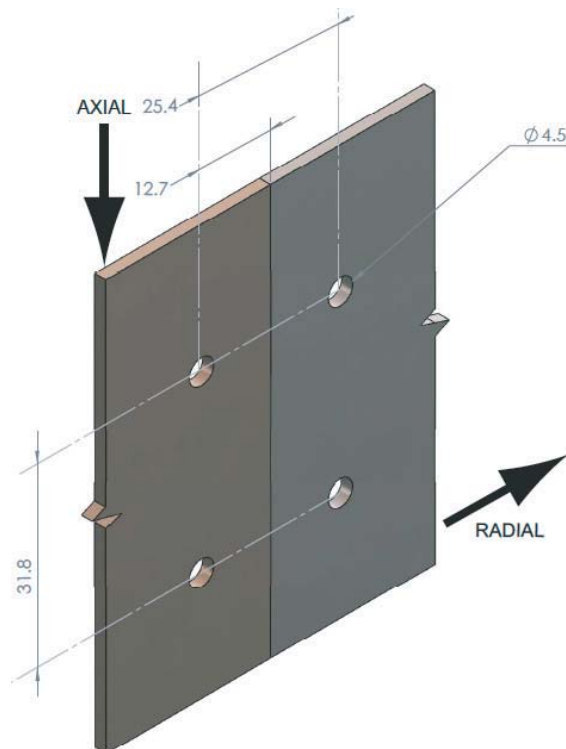
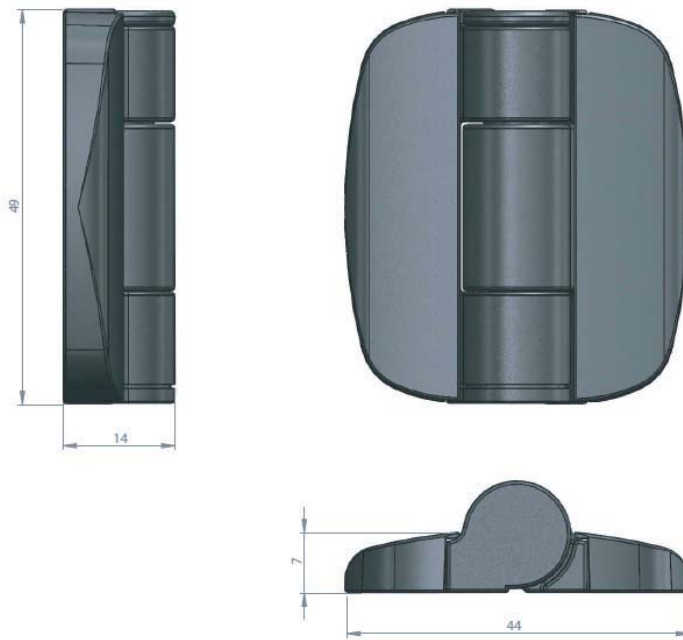


Positioning-Advantage Hinge

- Hold doors open without a secondary mechanical support.
- Detent holds door closed and open at 120° and 170°.
- Free-swinging style available.
- Snap-on covers conceal mounting hardware.



Material And Finish:

Leaves and Covers: Nylon, black.

Hinge Pin and Hinge Pin Insert:

Acetal, Black.

Spring: Urethane rubber, Black

Product Strength Guidelines:

Radial Load:

Maximum working load: 130 N

Average ultimate load: 970 N

Axial Load:

Maximum working load: 130 N

Average ultimate load: 1450 N

Positioning Torque: 1.1 N·m

Cycle Life: 10,000 cycles

Flammability Rating: UL94-HB.

Operating Temperature Range: -20°C to 80°C.

Part No.	Detented Open Angle
2.G6-5-1	
2.G6-0-1	FREE SWINGING (NO DETENTS)

Installation:

1. Prepare installation holes shown.
2. Mount hinge subassembly with appropriate fastening hardware (not supplied).
Maximum recommended tightening torque = 2.2 N·m.
3. Snap covers in place to conceal mounting hardware. Hinge subassemblies and covers are designed to accommodate M4 size Pan Head mounting hardware (not supplied).

