

## Padlockable Handles In Stainless Steel

Corrosion can be a major concern in some environments, such as marine industry or food processing plants, where these all-stainless handles will be very useful. The padlockable loop enables doors to be secured, with visible evidence that locking has taken place.



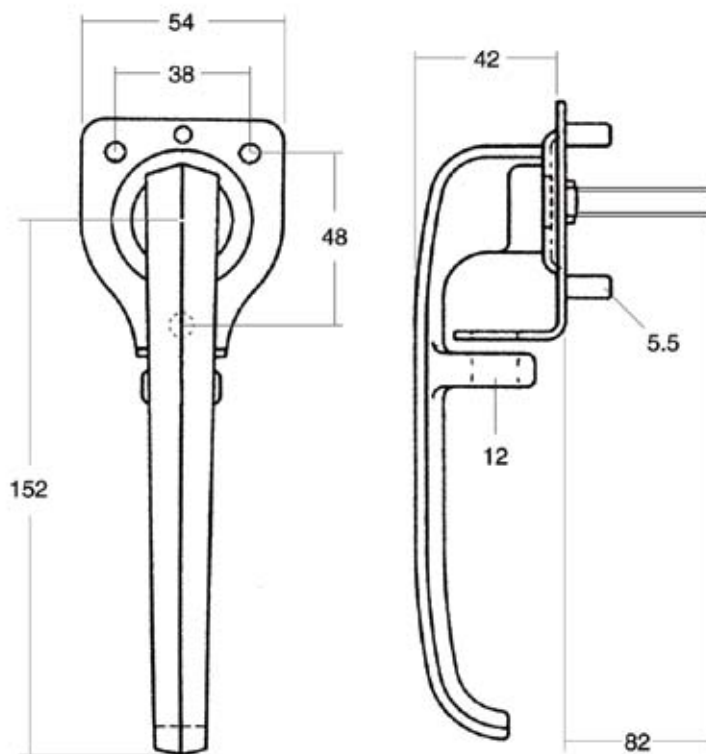
### 3.9/00400

Padlockable handle, stainless steel, open-fixing.



### 3.9/00402

Padlockable handle, stainless steel, concealed fixing.



- Fully plant-on with either open or concealed fixing, bright polished 300 series stainless steel throughout. 'O'-ring & gasket with concealed-fix models.
- Free-rotation through 360°.
- Fix through mounting holes in (open) escutcheon plate, or with studs on concealed fixing versions.
- Bright polished on exterior surfaces.
- Handles constructed in 300 series stainless steel throughout.
- Threaded shaft.



HEAD OFFICE  
T: +61 02 8887 1200  
F: +61 02 8887 1249  
E: export@uesint.com

NEW SOUTH WALES  
T: +61 02 8787 6500  
F: +61 02 8787 6599  
E: uesnsw@uesint.com

QUEENSLAND  
T: +61 07 3623 5800  
F: +61 07 3865 5605  
E: uesqld@uesint.com

VICTORIA  
T: +61 03 8787 3100  
F: +61 03 8787 3101  
E: uesvic@uesint.com

SOUTH AUSTRALIA  
T: +61 08 8340 1599  
F: +61 08 8340 4423  
E: uessa@uesint.com

WESTERN AUSTRALIA  
T: +61 08 9249 2211  
F: +61 08 9249 2022  
E: ueswa@uesint.com

NORTHERN TERRITORY  
T: +61 08 8946 4500  
F: +61 08 8946 4555  
E: uesnt@uesint.com

NEW ZEALAND  
T: +64 09 633 4019  
F: +64 09 633 0249  
E: uesnz@uesint.com