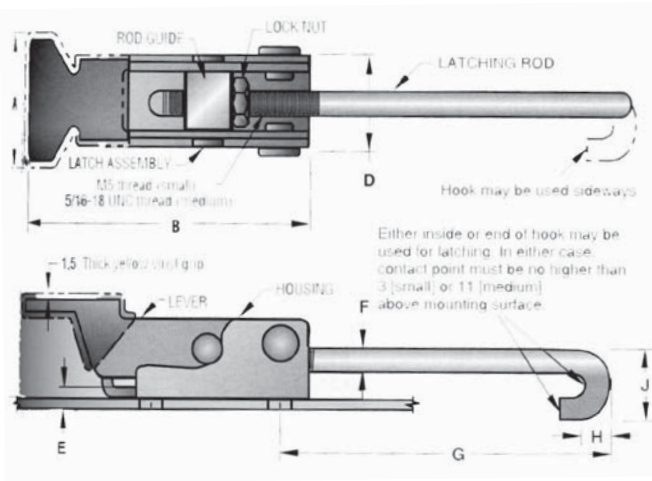


Over Centre Fasteners – Adjustable Series

- Hooked Latching Rod.
- Latching arm adjusts to fit grip range.
- Steel or stainless steel available.

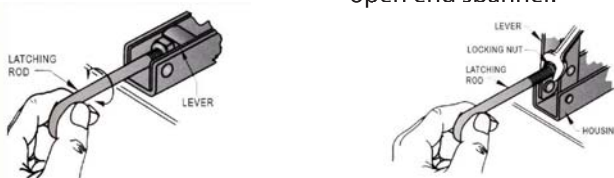


Size	Dimensions									
	A	B	C	D	E	F	G MIN.	G MAX.	H REF	J
Small	27	68	20	21	1.6	4.4	39	59	6	17
Medium	40	113	32	31	1.9	7	79	113	9	25

Steel, zinc plated	Stainless steel, passivated
Small Size without yellow vinyl grip	
1.A1-11-502-10	1.A1-11-502-40
Small Size with yellow vinyl grip	
1.A1-11-502-20	1.A1-11-502-50
Medium Size without yellow vinyl grip	
—	1.A1-11-702-40
Medium Size with yellow vinyl grip	
1.A1-11-702-20	1.A1-11-702-50

To Adjust

1. With lever in latched position, turn latching rod until desired tension is reached.
2. Raise lever. While holding latching rod to prevent rotation, tighten lock nut hard against rod guide using an open end spanner.



HEAD OFFICE T: +61 02 8887 1200 F: +61 02 8887 1249 E: export@uesint.com	NEW SOUTH WALES T: +61 02 8787 6500 F: +61 02 8787 6599 E: uesnsw@uesint.com	QUEENSLAND T: +61 07 3623 5800 F: +61 07 3865 5605 E: uesqld@uesint.com	VICTORIA T: +61 03 8787 3100 F: +61 03 8787 3101 E: uesvic@uesint.com	SOUTH AUSTRALIA T: +61 08 8340 1599 F: +61 08 8340 4423 E: uessa@uesint.com	WESTERN AUSTRALIA T: +61 08 9249 2211 F: +61 08 9249 2022 E: ueswa@uesint.com	NORTHERN TERRITORY T: +61 08 8946 4500 F: +61 08 8946 4555 E: uesnt@uesint.com	NEW ZEALAND T: +64 09 633 4019 F: +64 09 633 0249 E: uesnz@uesint.com
---	---	--	--	--	--	---	--

Material and Finish:

Steel version.

Lever and Housing: 1010 steel.

Rod Guide and Lock Nut: Low carbon steel.

Rod: 1008 steel.

All steel parts are zinc plated plus bright chromate dip.

Rivet: 302 Stainless steel, passivate

Grip: Vinyl, yellow.

Stainless steel version:

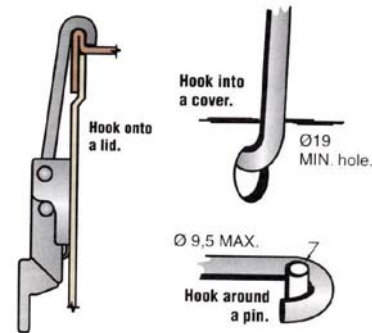
Lever and Housing: 304 stainless steel.

Rod Guide: 303 Stainless steel.

Lock Nut: 300 Stainless steel.

Rod and Rivet: 300 Series Stainless steel.

All stainless steel parts are passivated. Available with or without yellow vinyl grip.



Product Strength Guidelines:

Latched at end of hook	Small	Medium
Maximum working load	1200 N	1780 N
Average ultimate load	1800 N	2270 N
Latched at centre of radius	Small	Medium
Maximum working load	1350 N	3110 N
Average ultimate load	1700 N	4900 N

	Installation Dimensions	
	ØK +0,1	L ±0,2
Small	5,3	25,5
Medium	6,5	44,5

