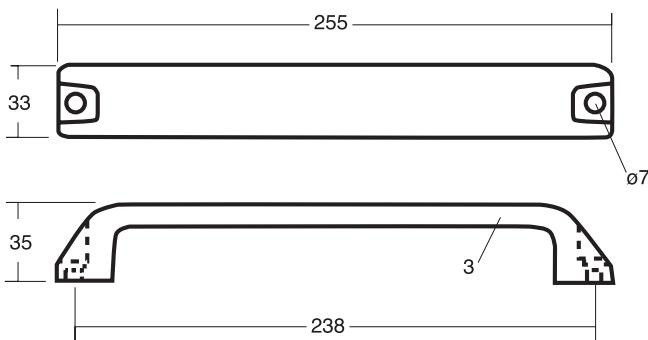


Open-Fix Die-Cast Handles

This handle was designed with clean modern lines in reaction to traditional 'commode' style die cast grab handles with thin sections and curved shapes. It is ideal for use as an entry-assist on rear and side doors of trucks and vans, for compressor and engine covers and on containerised gen-sets.

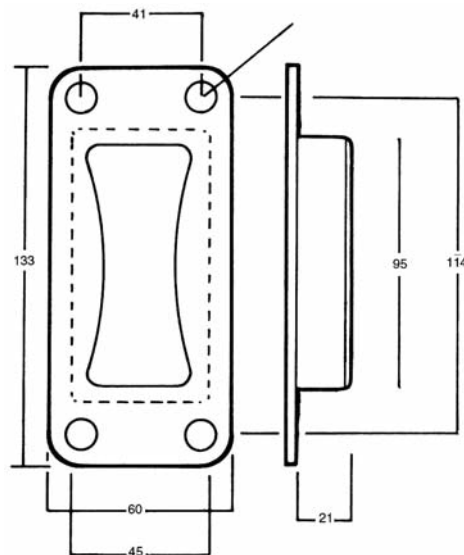
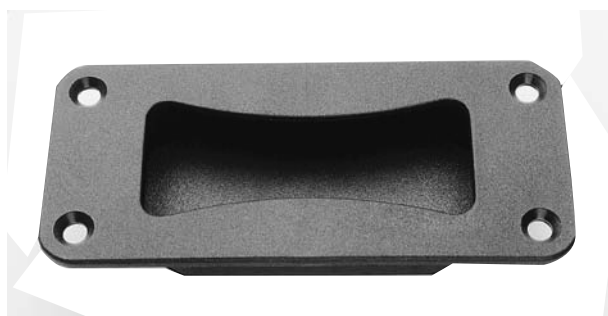
- Low profile and wide section for good grip, with no sharp corners or edges. Fully plant-on, with semi-concealed fixing holes.
- Black powder coated or hand polished and chromium plated. Special colours on request, volume permitting.



3.9/00214

Black powder coated.

Moulded Recess Grab Handle



3.9/01390

Moulded recess grab handle, black.

3.9/01391

Die-cast version.

An attractive, flush-fitting design which will fit neatly into a simple panel cut-out. It is moulded in glass-filled material, in black textured finish, and the face plate is shaped to provide a comfortable grip.



HEAD OFFICE
T: +61 02 8887 1200
F: +61 02 8887 1249
E: export@uesint.com

NEW SOUTH WALES
T: +61 02 8787 6500
F: +61 02 8787 6599
E: uesnsw@uesint.com

QUEENSLAND
T: +61 07 3623 5800
F: +61 07 3865 5605
E: uesqld@uesint.com

VICTORIA
T: +61 03 8787 3100
F: +61 03 8787 3101
E: uesvic@uesint.com

SOUTH AUSTRALIA
T: +61 08 8340 1599
F: +61 08 8340 4423
E: uessa@uesint.com

WESTERN AUSTRALIA
T: +61 08 9249 2211
F: +61 08 9249 2022
E: ueswa@uesint.com

NORTHERN TERRITORY
T: +61 08 8946 4500
F: +61 08 8946 4555
E: uesnt@uesint.com

NEW ZEALAND
T: +64 09 633 4019
F: +64 09 633 0249
E: uesnz@uesint.com