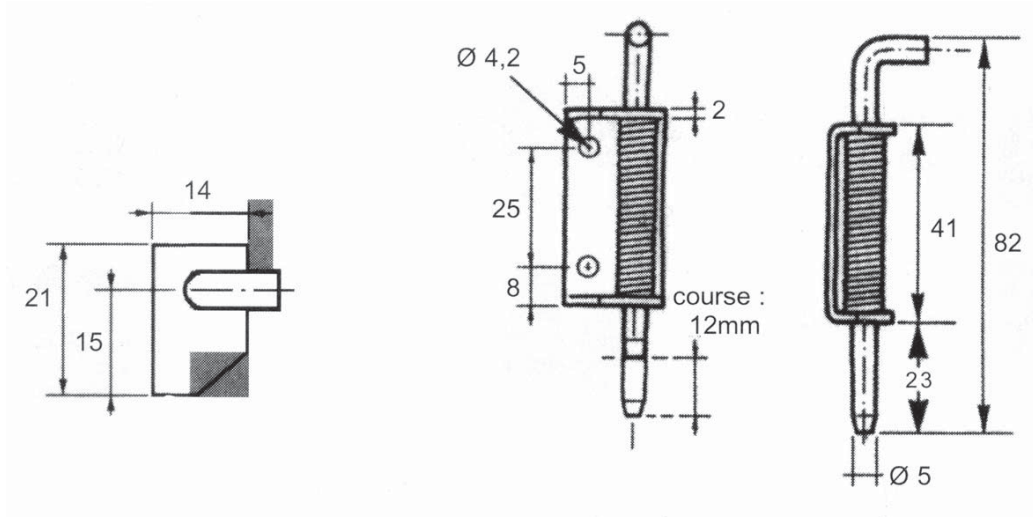


Multi-Functional Spring Hinges



Spring hinge MS zinc plated

Part No.									Material	Finish	Weight
1.1213860	41	X	21	X	14	X	ø5	RH	Steel	Zinc Plated	38,5g
1.1213861	41	X	21	X	14	X	ø5	LH	Steel	Zinc Plated	38,5g

Spring hinge in 304 stainless steel

Part No.									Material	Finish	Weight
1.1213862	41	X	21	X	14	X	ø5	RH	S/steel 304	Unpolished	38,5g
1.1213863	41	X	21	X	14	X	ø5	LH	S/steel 304	Unpolished	38,5g

