

Magnetic Catch – Snap-In Style



- Pull to open.
- Optional mounting bracket available.
- Choice of four sizes.

Material And Finish:

Housing: Polypropylene, black or white.

Pole Pieces: 1010 Steel, zinc plated.

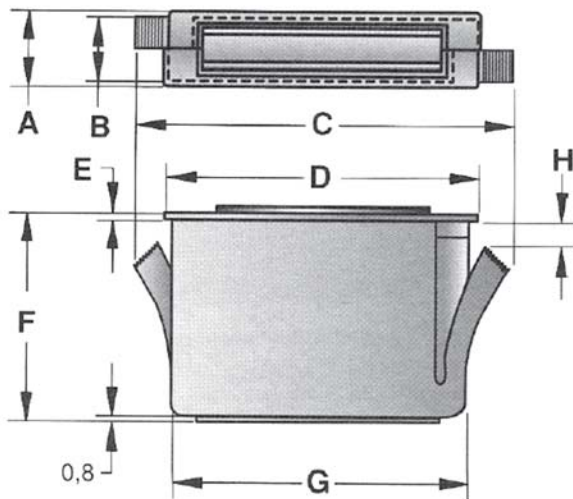
Magnet: (100 series): Strontium ferrite.
(All other series): Barium ferrite.

Mounting Bracket: 1010 Steel, zinc plated.

Product Strength Guidelines:

Flammability Rating: (Housing only): UL94 - HB.

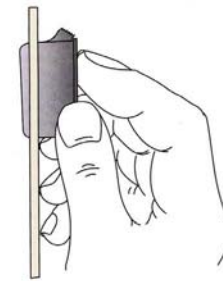
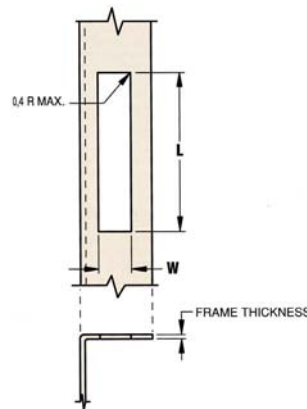
Operating Temperature Range: -30°C to 115°C.



Installation

1. Punch rectangular slot.

2. Snap catch into slot.



SIZE	L ± 0,1	W ± 0,1
Small (300 Series)	22,2	6,4
Medium (100 Series)	38,1	8,1
Large (200 Series)	57,1	9,6
Double Magnet (800 Series)	57,1	21

Size	Dimensions							Frame Thickness			Part Numbers	
	A	B	C	D	E	F	G	MIN.	MAX.	H	Black	White
Small (300 Series)	7,7	6,1	27,9	23,6	0,8	13,3	22	0,5	2	0,9	<u>1.02-10-301-10</u>	<u>1.02-10-301-20</u>
			26,7					2	3,5	2,4	<u>1.02-10-302-10</u>	<u>1.02-10-302-20</u>
			47					0,5	2	1	<u>1.02-10-101-10</u>	<u>1.02-10-101-20</u>
Medium (100 series)	9,2	7,7	45,5	39,7	0,8	25,4	37,8	3,5	5	4	<u>1.02-10-103-10</u>	<u>1.02-10-103-20</u>
			65,3					0,5	2	0,3	<u>1.02-10-201-10</u>	<u>1.02-10-201-20</u>
			63,3					2	3,5	1,8	<u>1.02-10-202-10</u>	<u>1.02-10-202-20</u>
Large (200 series)	11	9,4	64,5	58,5	1,2	20,6	57	2	3,5	1,8	<u>1.02-10-202-10</u>	<u>1.02-10-202-20</u>
			63,3					3,5	5	3,3	<u>1.02-10-203-10</u>	<u>1.02-10-203-20</u>



HEAD OFFICE
T: +61 02 8887 1200
F: +61 02 8887 1249
E: export@uesint.com

NEW SOUTH WALES
T: +61 02 8787 6500
F: +61 02 8787 6599
E: uesnsw@uesint.com

QUEENSLAND
T: +61 07 3623 5800
F: +61 07 3865 5605
E: uesqld@uesint.com

VICTORIA
T: +61 03 8787 3100
F: +61 03 8787 3101
E: uesvic@uesint.com

SOUTH AUSTRALIA
T: +61 08 8340 1599
F: +61 08 8340 4423
E: uessa@uesint.com

WESTERN AUSTRALIA
T: +61 08 9249 2211
F: +61 08 9249 2022
E: ueswa@uesint.com

NORTHERN TERRITORY
T: +61 08 8946 4500
F: +61 08 8946 4555
E: uesnt@uesint.com

NEW ZEALAND
T: +64 09 633 4019
F: +64 09 633 0249
E: uesnz@uesint.com

