

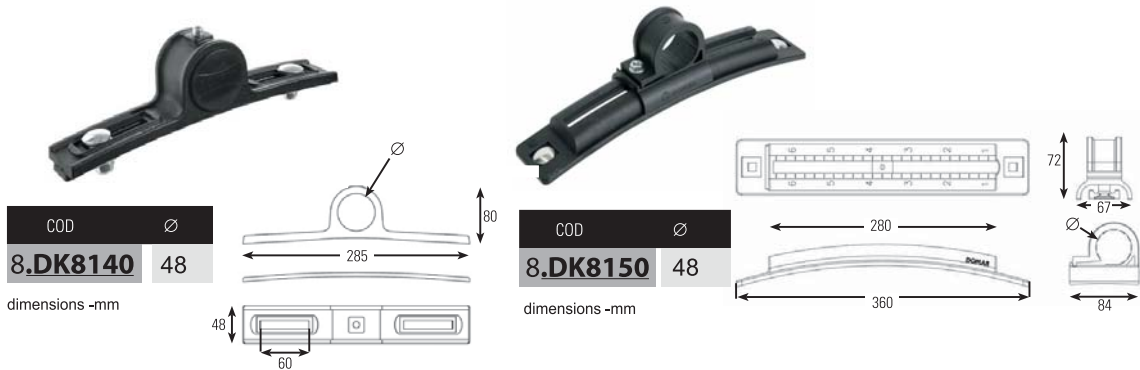
Mudguards And Mudflaps



8.D3715 Flat Top Mudguard

B	L	R	S	H	F
450	1480	400	920	460	400

Plastic Adjustable Support For Mudguard



White plastic mud guard flaps give adequate reflective surface for the first time, to single wheel flaps.

Moulded Size:

225mm x 225mm with three fixing holes.

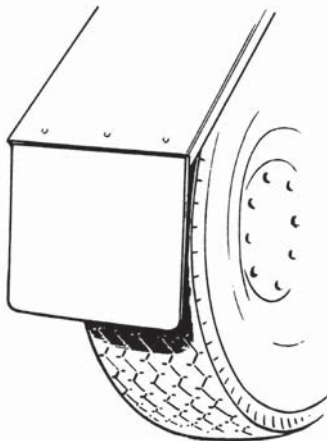
Customer's brand or initials can be inserted for minimum runs of 500 flaps at nominal price increase.

Packing Specifications:

50 per carton.

WHITE MUDFLAPS Injection Moulded From UV STABILISED FLEXIBLE PVC

Part No.	Size
8.1009	10 x 9 (250x230mm)
8.1218	12 x 18 (310x455mm)
8.1324	13 x 24 (330x610mm)
8.1818	18 x 18 (455x455mm)
8.1824	18 x 24 (455x610mm)
8.2424	24 x 24 (610x610mm)
8.3024	30 x 24 (760x610mm)



BLACK MUDFLAPS Injection Moulded From UV STABILISED FLEXIBLE PVC

Part No.	Size
8.1009B	10 x 9 (250x230mm)
8.1409M4X4	14 x 9 (355x230mm) with "4 x 4" logo
8.1112B	11 x 12 (280x300mm)
8.1112M4x4	11 x 12 (280x300mm) with "4 x 4" logo



HEAD OFFICE
T: +61 02 8887 1200
F: +61 02 8887 1249
E: export@uesint.com

NEW SOUTH WALES
T: +61 02 8787 6500
F: +61 02 8787 6599
E: uesnsw@uesint.com

QUEENSLAND
T: +61 07 3623 5800
F: +61 07 3865 5605
E: uesqld@uesint.com

VICTORIA
T: +61 03 8787 3100
F: +61 03 8787 3101
E: uesvic@uesint.com

SOUTH AUSTRALIA
T: +61 08 8340 1599
F: +61 08 8340 4423
E: uessa@uesint.com

WESTERN AUSTRALIA
T: +61 08 9249 2211
F: +61 08 9249 2022
E: ueswa@uesint.com

NORTHERN TERRITORY
T: +61 08 8946 4500
F: +61 08 8946 4555
E: uesnt@uesint.com

NEW ZEALAND
T: +64 09 633 4019
F: +64 09 633 0249
E: uesnz@uesint.com