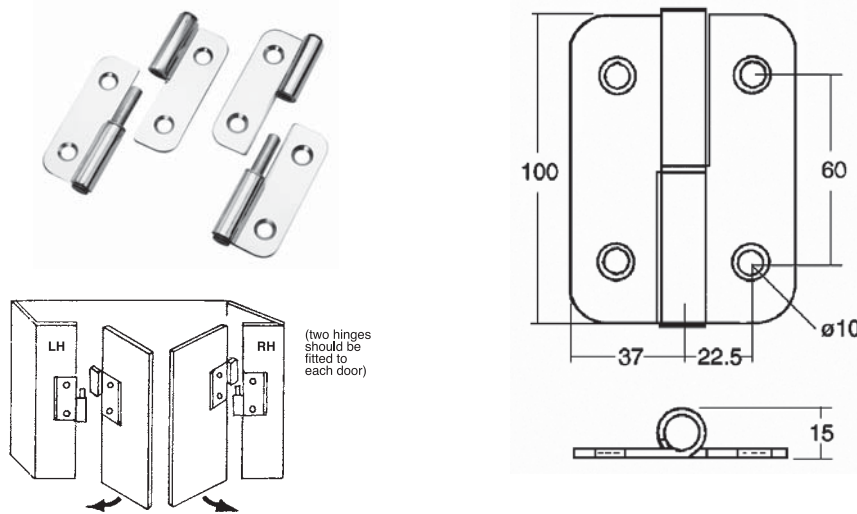


Lift-Off Steel Hinges



Stainless steel models in Grade 304, mild steel models in CR4, with stainless pin and washer and black moulded end-caps. Rigs-test show that two hinges (on a 1 metre frame) carried a load of 90kg without damage, equivalent to a moment of force of 90NM.

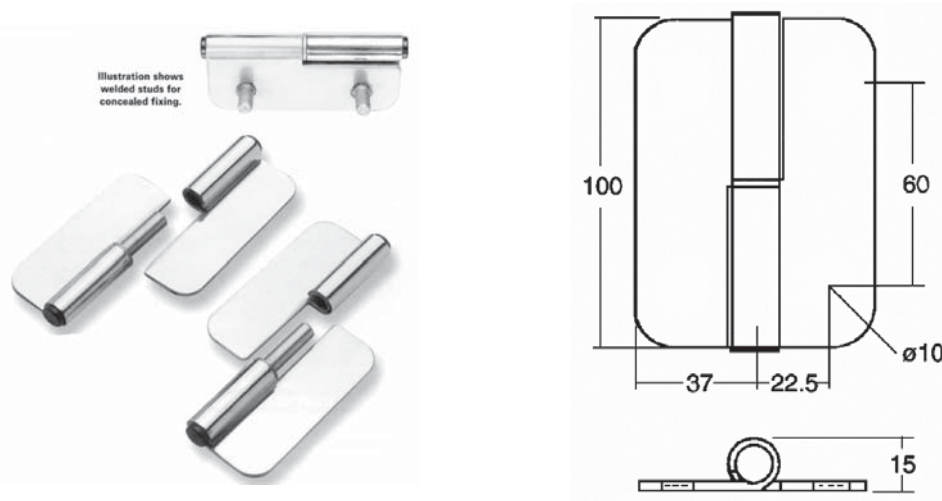
2.9/01443

Stainless lift-off hinge, left hand.

2.9/01442

Stainless lift-off hinge, right hand.

Lift-Off Concealed-Fix Stainless Steel Hinges



In this design fixing holes are omitted and are replaced with welded-on M8 threaded studs. Rig-test show that two hinges (on a 1 metre frame) carried a load of 90kg without damage, equivalent to a moment of force of 90NM.

2.9/01445

Stainless concealed hinge, left hand.

2.9/01444

Stainless concealed hinge, right hand.

