

Lever 'L' Handles With 'Easy - Fix' Mounting

Stylish and attractive handles with circular, 'easy-fix' escutcheon that are mounted through a standard pierced aperture. Lock cylinders are "shuttered" for weather resistance and handle can be water-sealed. Non-locking models available.

The 'equilateral' design uses one, non-handed pan to suit both LH and RH applications. Supplied as boxed sets with the die-cast handles, these are suitable only for compartment doors carrying light loads - not for passenger vehicles.



3.9/00156

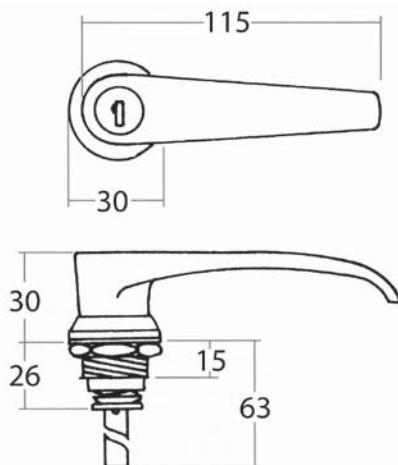
Locking handle and pan. Black powder coated.

3.9/00157

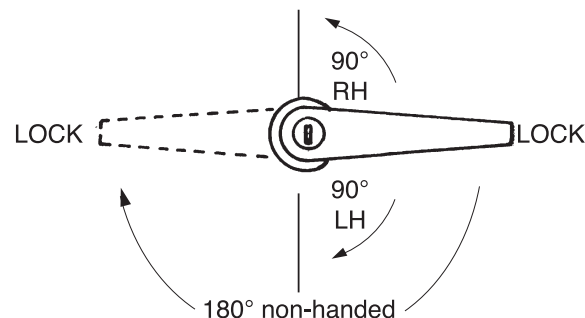
Non-locking handle and pan. Black powder coated.

3.9/00158

Locking handle (FS880) and pan.
Black powder coated.



- 180° as standard, rotation can be limited to 90°, LH/RH, when required.
- Mount through panel piercing against 'flats' on escutcheon, and secure with large brass nut. Neoprene gasket and stainless spring spacing washer are provided.
- 'FS' keys as standard with 'shuttered' keyway optionally 'FT', 'DLP' key types.
- Chromium plated or black powder coated.



Handles operate through 180° as standard (non-handed), locking in two positions. To special order, rotation can be limited to 90° LH (clockwise) or 90° RH (anti clockwise) when handle will only lock in the rest position. Illustration shows handle with 'flats' vertical on escutcheon.

