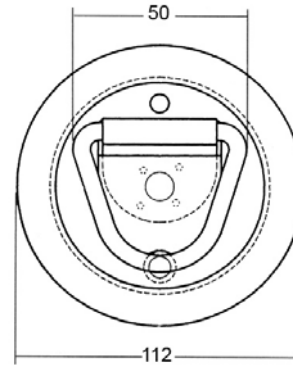


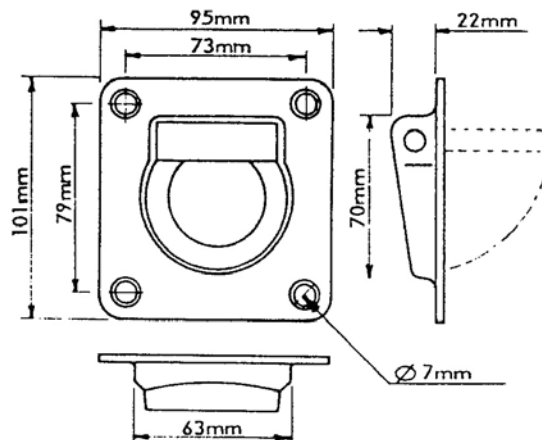
Lashing Rings



8.9/01181

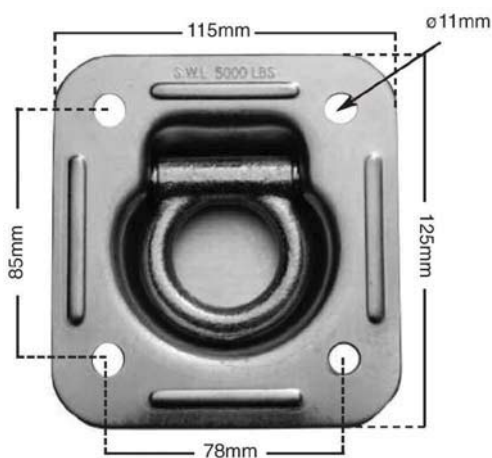
Recessed lashing ring. Zinc plated SWL 250kg.

This useful steel tie-down is supplied complete with moulded shroud for plant-on fixing to wall or floor. Bolt itself fixes through the steel support plate. There is a rubber plug to 'cushion' ring and prevent rattle.



8.9193

Recessed lashing ring, zinc plated SWL 500kg.



8.9037

Recessed lashing ring, zinc plated SWL 2000kg.

8.22505

Light duty lashing ring, zinc plated.



HEAD OFFICE

T: +61 02 8887 1200

F: +61 02 8887 1249

E: export@uesint.com

NEW SOUTH WALES

T: +61 02 8787 6500

F: +61 02 8787 6599

E: uesnw@uesint.com

QUEENSLAND

T: +61 07 3623 5800

F: +61 07 3865 5605

E: uesqld@uesint.com

VICTORIA

T: +61 03 8787 3100

F: +61 03 8787 3101

E: uesvic@uesint.com

SOUTH AUSTRALIA

T: +61 08 8340 1599

F: +61 08 8340 4423

E: uessa@uesint.com

WESTERN AUSTRALIA

T: +61 08 9249 2211

F: +61 08 9249 2022

E: ueswa@uesint.com

NORTHERN TERRITORY

T: +61 08 8946 4500

F: +61 08 8946 4555

E: uesnt@uesint.com

NEW ZEALAND

T: +64 09 633 4019

F: +64 09 633 0249

E: uesnz@uesint.com