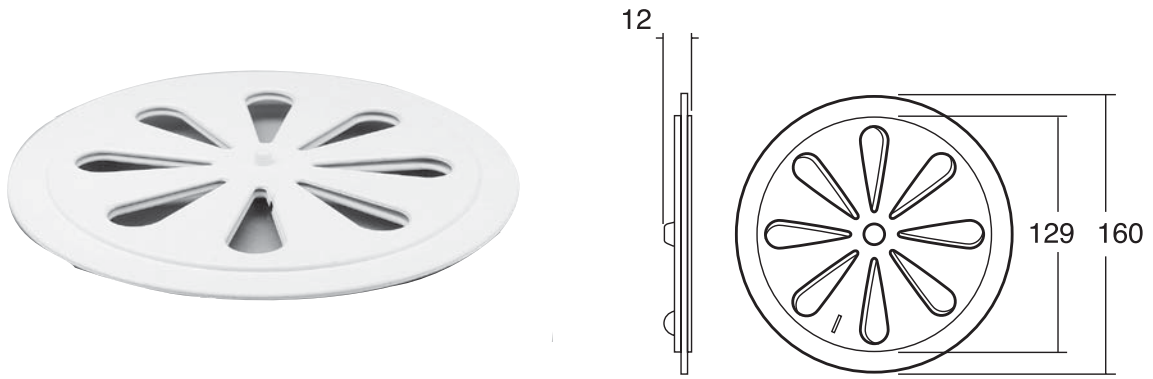
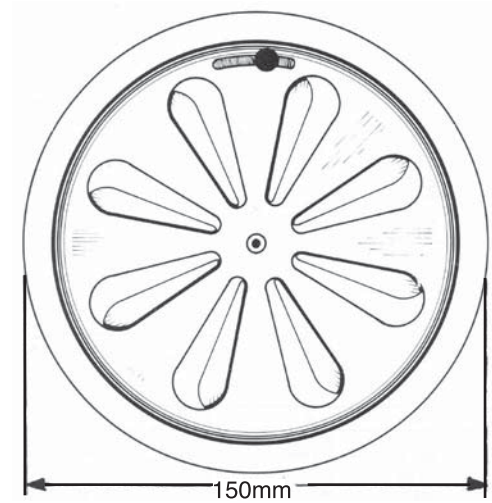


Inner Vents



7.33181

Plastic inner vent.



7.33182

Inner aluminium vent. To suit 130mm diameter aperture.



HEAD OFFICE	NEW SOUTH WALES	QUEENSLAND	VICTORIA	SOUTH AUSTRALIA	WESTERN AUSTRALIA	NORTHERN TERRITORY	NEW ZEALAND
T: +61 02 8887 1200	T: +61 02 8787 6500	T: +61 07 3623 5800	T: +61 03 8787 3100	T: +61 08 8340 1599	T: +61 08 9249 2211	T: +61 08 8946 4500	T: +64 09 633 4019
F: +61 02 8887 1249	F: +61 02 8787 6599	F: +61 07 3865 5605	F: +61 03 8787 3101	F: +61 08 8340 4423	F: +61 08 9249 2022	F: +61 08 8946 4555	F: +64 09 633 0249
E: export@uesint.com	E: uesnsw@uesint.com	E: uesqld@uesint.com	E: uesvic@uesint.com	E: uessa@uesint.com	E: ueswa@uesint.com	E: uesnt@uesint.com	E: uesnz@uesint.com