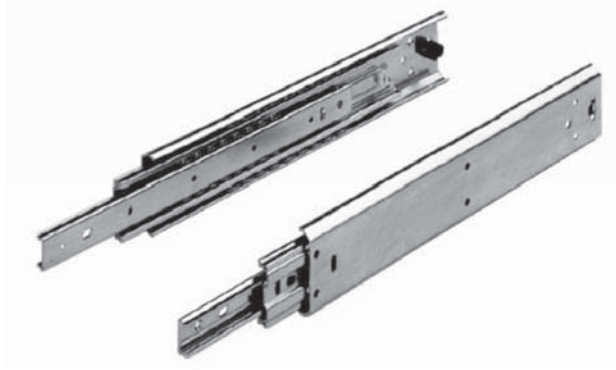


# Industrial Drawer Slides - 100kg

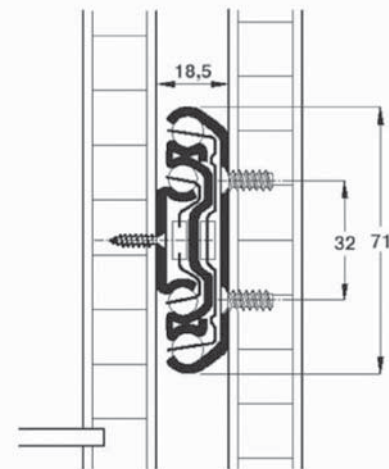
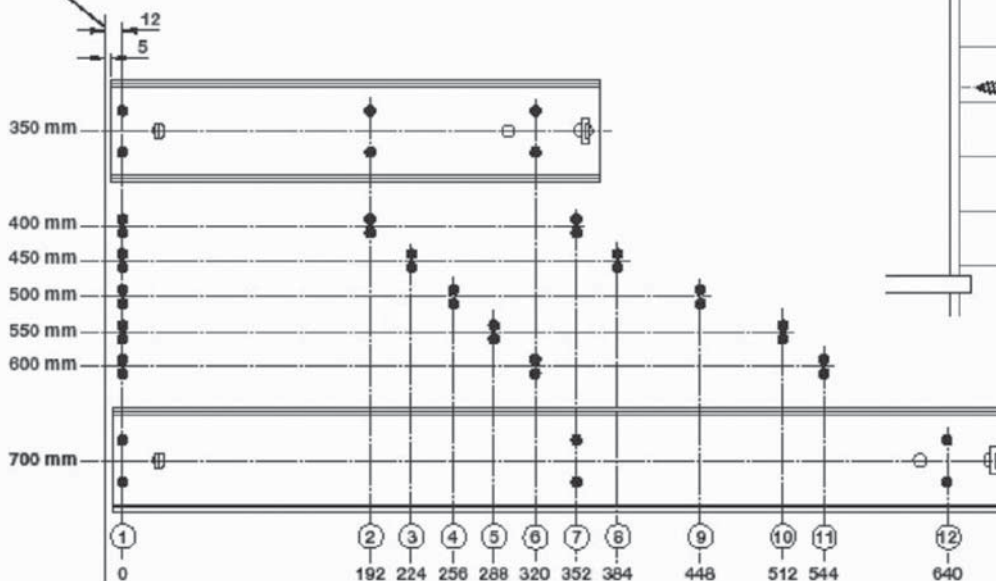


### FEATURES

- 100 - load capacity up to 100kgs per pair.
- K - ball mounted guided by means of 4 ball cages.
- T - telescopic extension, over extension.
- S - side mounted.
- **Material:** Bright galvanised.

Part No.	Installed Length mm	Extension Length mm
<b><u>8.420.76.362</u></b>	350	375
<b><u>8.420.76.415</u></b>	400	435
<b><u>8.420.76.460</u></b>	450	485
<b><u>8.420.76.513</u></b>	500	545
<b><u>8.420.76.568</u></b>	550	595
<b><u>8.420.76.611</u></b>	600	650
<b><u>8.420.76.719</u></b>	700	750

Cabinet front edge



HEAD OFFICE  
T: +61 02 8887 1200  
F: +61 02 8887 1249  
E: export@uesint.com

NEW SOUTH WALES  
T: +61 02 8787 6500  
F: +61 02 8787 6599  
E: uesnsw@uesint.com

QUEENSLAND  
T: +61 07 3623 5800  
F: +61 07 3865 5605  
E: uesqld@uesint.com

VICTORIA  
T: +61 03 8787 3100  
F: +61 03 8787 3101  
E: uesvic@uesint.com

SOUTH AUSTRALIA  
T: +61 08 8340 1599  
F: +61 08 8340 4423  
E: uessa@uesint.com

WESTERN AUSTRALIA  
T: +61 08 9249 2211  
F: +61 08 9249 2022  
E: ueswa@uesint.com

NORTHERN TERRITORY  
T: +61 08 8946 4500  
F: +61 08 8946 4555  
E: uesnt@uesint.com

NEW ZEALAND  
T: +64 09 633 4019  
F: +64 09 633 0249  
E: uesnz@uesint.com