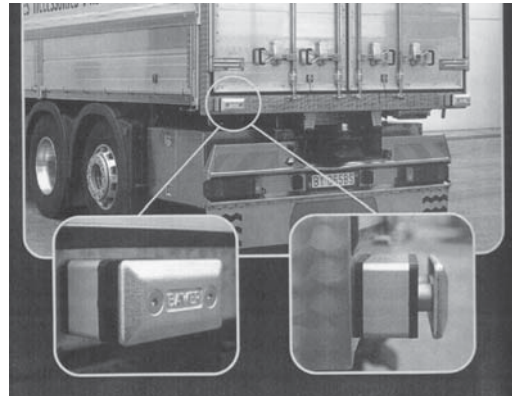
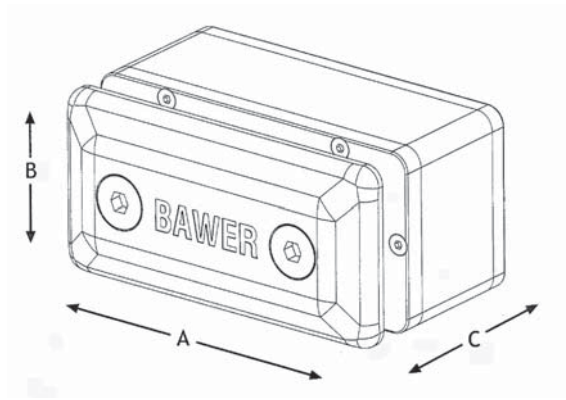


Impact Rubber Buffers

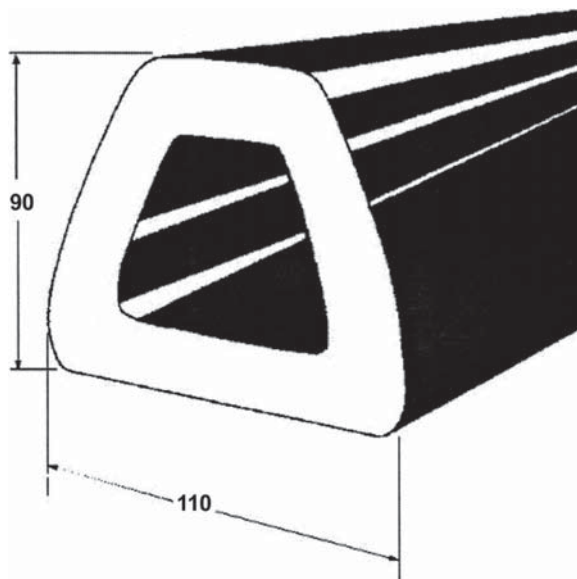


Custom designed product from Italy with patent pending. A flexible system that absorbs the impact when reversing into loading bays. The action facilitates movement to avoid damage to loading bay and vehicle. Does not sustain damage like traditional rubber buffers. Compression tested to 60 kN without failure.

Wear Test: Tested to control the wear of different components; the weight measurements taken after 750 cycles showed a weight loss of 2g without losing it's functional characteristics.

Part Number	Height	Length	Width
6.V7010	160	60	90
6.V7020	180	80	105
6.V7030	200	100	120

Docking Rubber



6.DR300

Moulded docking rubber.

6.DR1000

Moulded docking buffer.

110mm x 90mm x 1000mm long.

