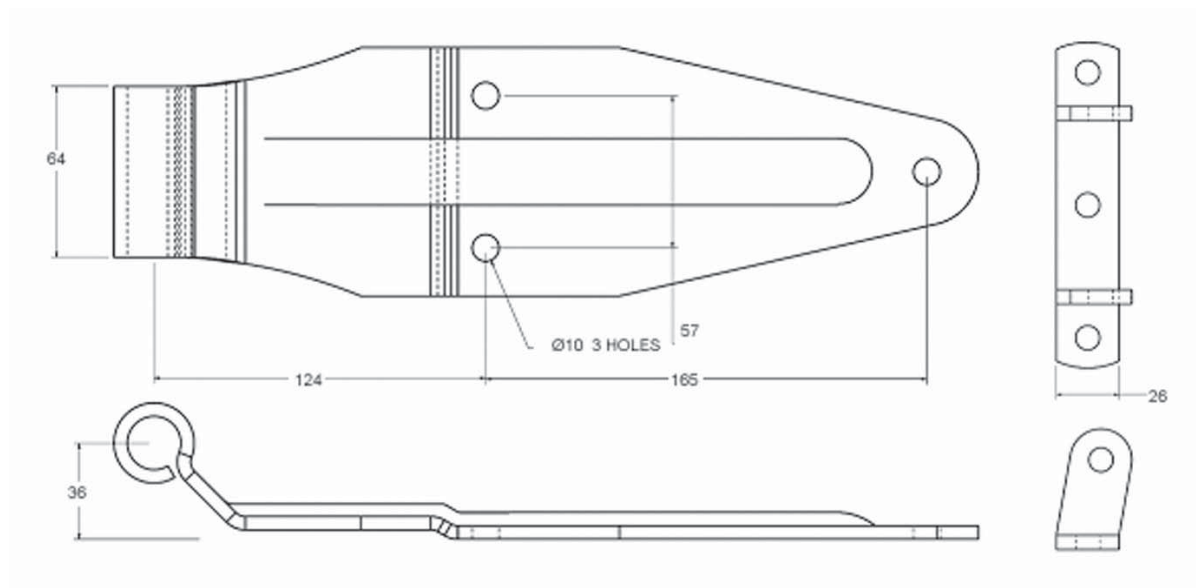


## Heavy Duty Rear Door Hinge



### 2.UES0505ZP

Hinge assembly zinc plated with bolt on butt. **Application:** rear van door hinge (heavy duty).



#### Other Options Available:

### 2.UES0506ZP

Weld on butt.

### 2.UES0508ZP

Weld on offset butt.

Also available in stainless steel.

