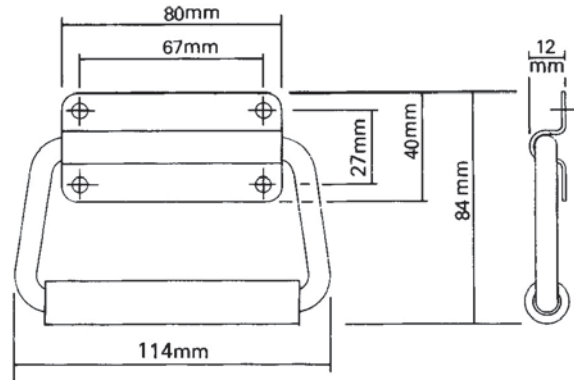
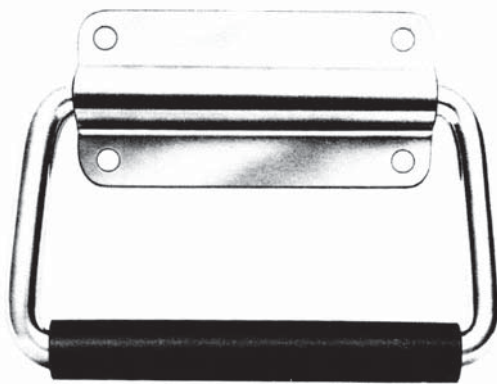
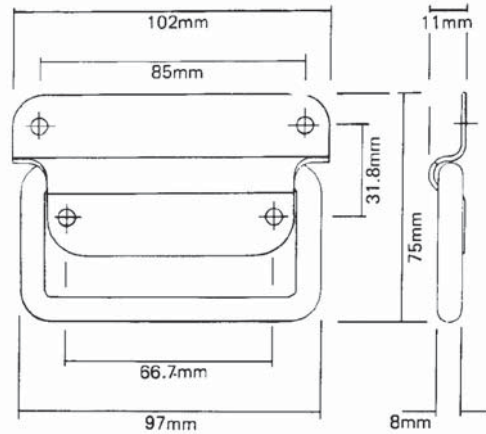
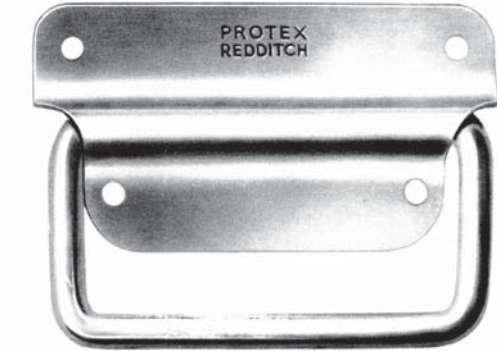


Handles



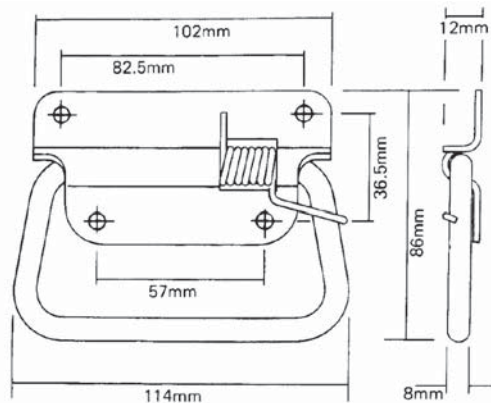
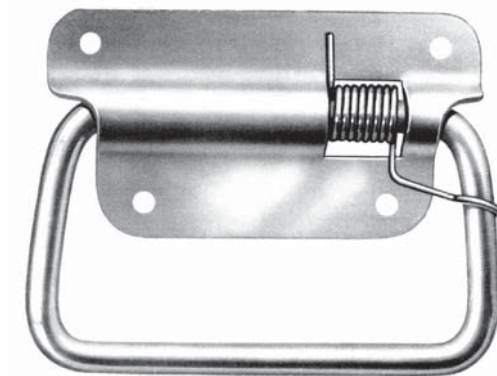
3.93-1044MS

Handle with 180° travel and PVC sleeve. Mild steel zinc plated.



3.94-120MS or 3.UES1116

Chest handle. Mild steel zinc plated.



3.95-321MS

Spring-loaded handle. Mild steel zinc plated.

