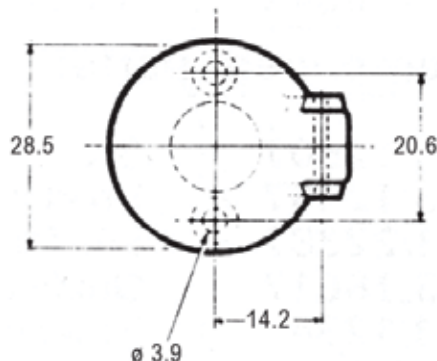
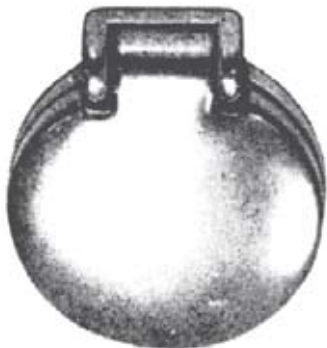


Budget Latch Escutcheon

Zinc Die-Cast Escutcheon



4.0130/001

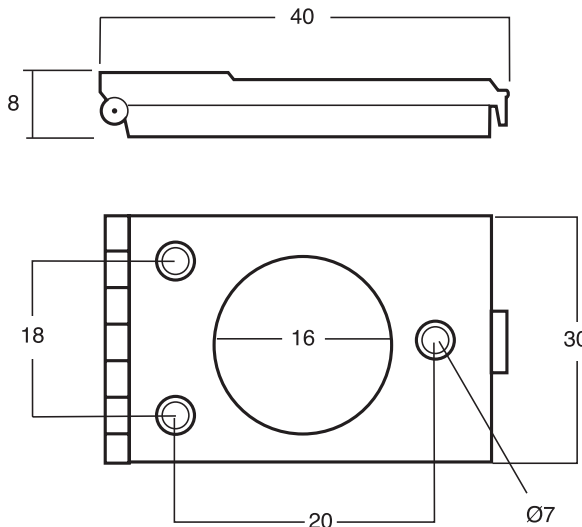
Chrome plated.

4.0130/002

Black powder coated.

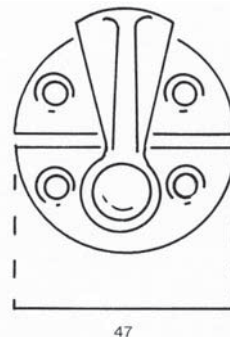
Moulded Escutcheon Cover

Simple 'snap-shut' covers to protect external panel aperture. Waterproof, opens to 150° for easy fitting (no spring return).



4.9/01960

Gravelly Fastener



4.0662/001

Chrome plated die-cast gravelly fastener with striker plate. **Medium Size:** 1.7/8 inches x 1 inch.



HEAD OFFICE T: +61 02 8887 1200 F: +61 02 8887 1249 E: export@uesint.com	NEW SOUTH WALES T: +61 02 8787 6500 F: +61 02 8787 6599 E: uesnsw@uesint.com	QUEENSLAND T: +61 07 3623 5800 F: +61 07 3865 5605 E: uesqld@uesint.com	VICTORIA T: +61 03 8787 3100 F: +61 03 8787 3101 E: uesvic@uesint.com	SOUTH AUSTRALIA T: +61 08 8340 1599 F: +61 08 8340 4423 E: uessa@uesint.com	WESTERN AUSTRALIA T: +61 08 9249 2211 F: +61 08 9249 2022 E: ueswa@uesint.com	NORTHERN TERRITORY T: +61 08 8946 4500 F: +61 08 8946 4555 E: uesnt@uesint.com	NEW ZEALAND T: +64 09 633 4019 F: +64 09 633 0249 E: uesnz@uesint.com
---	---	--	--	--	--	---	--