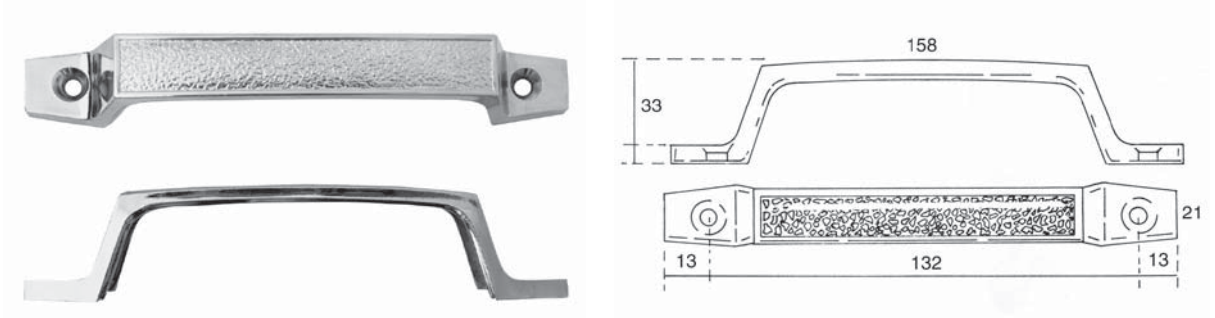


Grab Handles



3.1200

Grab handle zinc die-cast, chrome plated.



Grab Rails



These universal hand rail have a wide range of uses such as entry assist handles in many different industries.

3.1455

Chrome plated brass. 228mm in length x 25mm.

3.1457

Chrome plated brass. 305mm in length x 25mm.

3.1459

Chrome plated brass. 381mm in length x 25mm.

3.1461

Chrome plated brass. 457mm in length x 25mm.

3.1463

Chrome plated brass. 610mm in length x 25mm.

3.1465

Chrome plated brass. 762mm in length x 25mm.

3.1467

Chrome plated brass. 915mm in length x 25mm.

3.1469

Chrome plated brass. 1219mm in length x 25mm.

