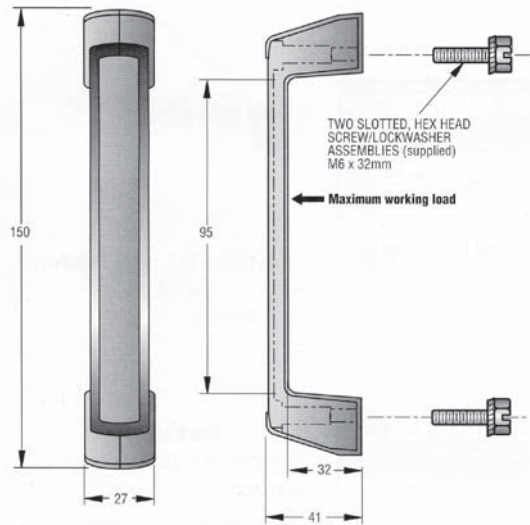


Grab Handle - Small Size



3.B8-45

Rear mount.

- Easy to pull or hold.
- Front or rear mounting options.
- All hardware is concealed.

NOTE: Installation in a panel thickness less than the maximum for each range allows some movement of the pull.

3.B8-43

Front mount.

Material and Finish

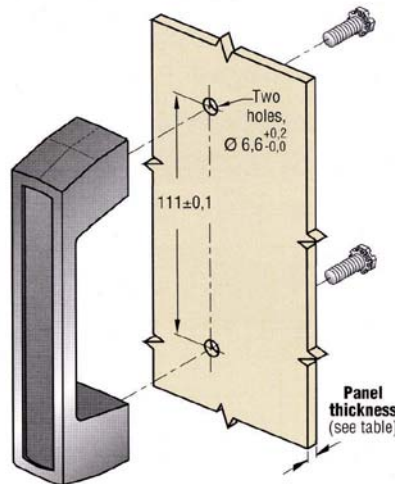
Handle: ABS, black.

Screw Assemblies: 1010 steel, zinc plated.

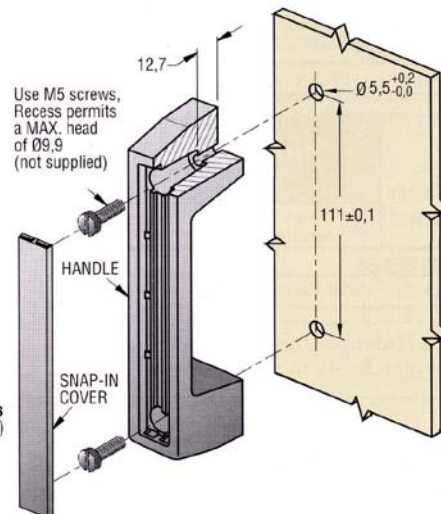
Lock washer Assemblies: Spring steel, zinc plated.

Installation

Rear mounted handle



Front mounted handle



Larger size handle available. Contact UES for details.



HEAD OFFICE
T: +61 02 8887 1200
F: +61 02 8887 1249
E: export@uesint.com

NEW SOUTH WALES
T: +61 02 8787 6500
F: +61 02 8787 6599
E: uesnsw@uesint.com

QUEENSLAND
T: +61 07 3623 5800
F: +61 07 3865 5605
E: uesqld@uesint.com

VICTORIA
T: +61 03 8787 3100
F: +61 03 8787 3101
E: uesvic@uesint.com

SOUTH AUSTRALIA
T: +61 08 8340 1599
F: +61 08 8340 4423
E: uessa@uesint.com

WESTERN AUSTRALIA
T: +61 08 9249 2211
F: +61 08 9249 2022
E: ueswa@uesint.com

NORTHERN TERRITORY
T: +61 08 8946 4500
F: +61 08 8946 4555
E: uesnt@uesint.com

NEW ZEALAND
T: +64 09 633 4019
F: +64 09 633 0249
E: uesnz@uesint.com