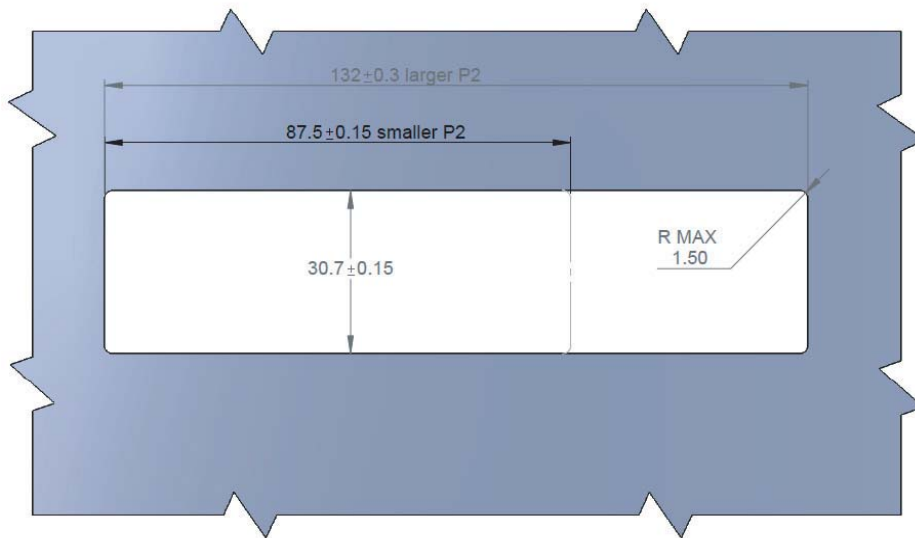


## Flush Pull Handle (Snap-in Style)

### Installation



### Product Strength Guidelines



## Flush Pull Handle (Snap-in Style)



- For lifting or pulling.
- Lifting load is transferred directly to panel edge.
- Single hole, snap-in installation.
- Two sizes.

### Material and Finish

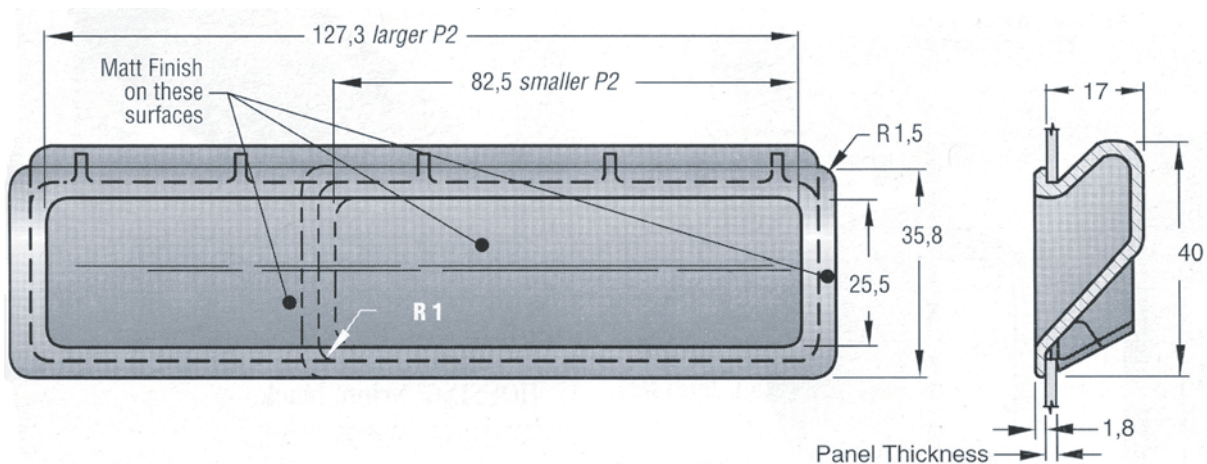
**Pull and Cup:** ABS, low gloss black.

**Screws:** Steel, zinc plated plus bright chromatic dip.

### NOTE:

Installation in a panel thickness less than the maximum for each range allows some movement of the pull.

Part Numbers		Panel Thickness	
Large	Small	Min	Max
<b><u>3.P2-51</u></b>	<b><u>3.P2-41</u></b>	1	1,4
<b><u>3.P2-52</u></b>	<b><u>3.P2-42</u></b>	1,4	1,8
<b><u>3.P2-53</u></b>	<b><u>3.P2-43</u></b>	1,8	2,1
<b><u>3.P2-54</u></b>	<b><u>3.P2-44</u></b>	2,1	2,5



HEAD OFFICE  
T: +61 02 8887 1200  
F: +61 02 8887 1249  
E: export@uesint.com



NEW SOUTH WALES  
T: +61 02 8787 6500  
F: +61 02 8787 6599  
E: uesnw@uesint.com



QUEENSLAND  
T: +61 07 3623 5800  
F: +61 07 3865 5605  
E: uesqld@uesint.com



VICTORIA  
T: +61 03 8787 3100  
F: +61 03 8787 3101  
E: uesvic@uesint.com



SOUTH AUSTRALIA  
T: +61 08 8340 1599  
F: +61 08 8340 4423  
E: uessa@uesint.com



WESTERN AUSTRALIA  
T: +61 08 9249 2211  
F: +61 08 9249 2022  
E: ueswa@uesint.com



NORTHERN TERRITORY  
T: +61 08 8946 4500  
F: +61 08 8946 4555  
E: uesnt@uesint.com



NEW ZEALAND  
T: +64 09 633 4019  
F: +64 09 633 0249  
E: uesnz@uesint.com