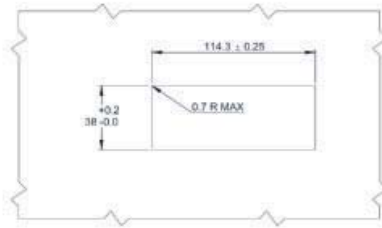


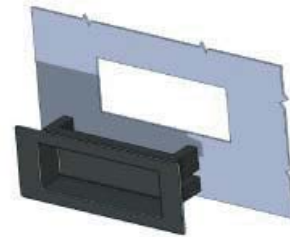
# Flush Pull Handle

## Installation

1. Prepare a rectangular opening as shown

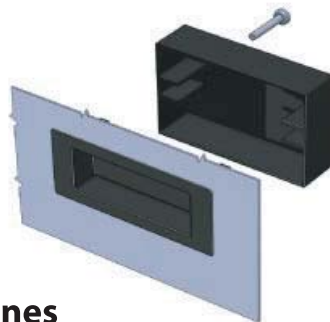


2. Place pull in panel, seating the slot against top of opening.



3. Attach cup to pull and back of panel with two screws (supplied)

Maximum recommended tightening torque for mounting screws is 0.5 Nm

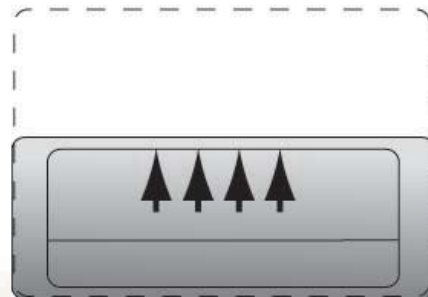


Two No. 6 BT self-tapping screws (supplied)

## Product Strength Guidelines

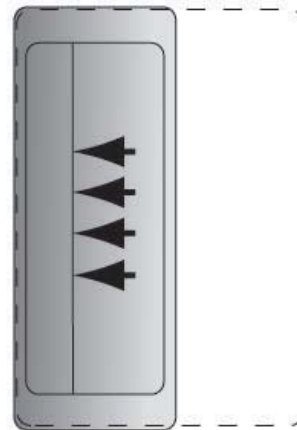
(Distributed load)

Lifting, Pulling



Maximum working load 1300N  
Average ultimate load 2700N

Pushing, Sliding



Maximum working load 450N  
Average ultimate load 670N



HEAD OFFICE  
T: +61 02 8887 1200  
F: +61 02 8887 1249  
E: export@uesint.com



NEW SOUTH WALES  
T: +61 02 8787 6500  
F: +61 02 8787 6599  
E: uesnsw@uesint.com



QUEENSLAND  
T: +61 07 3623 5800  
F: +61 07 3865 5605  
E: uesqld@uesint.com



VICTORIA  
T: +61 03 8787 3100  
F: +61 03 8787 3101  
E: uesvic@uesint.com



SOUTH AUSTRALIA  
T: +61 08 8340 1599  
F: +61 08 8340 4423  
E: uessa@uesint.com



WESTERN AUSTRALIA  
T: +61 08 9249 2211  
F: +61 08 9249 2022  
E: ueswa@uesint.com



NORTHERN TERRITORY  
T: +61 08 8946 4500  
F: +61 08 8946 4555  
E: uesnt@uesint.com



NEW ZEALAND  
T: +64 09 633 4019  
F: +64 09 633 0249  
E: uesnz@uesint.com

# Flush Pull Handle



ABS black.

- For lifting or pulling.
- Lifting load is transferred directly to panel edge.
- Single hole, screw - mount installation.

**Material and Finish:**

**Pull and Cup:** ABS, black.

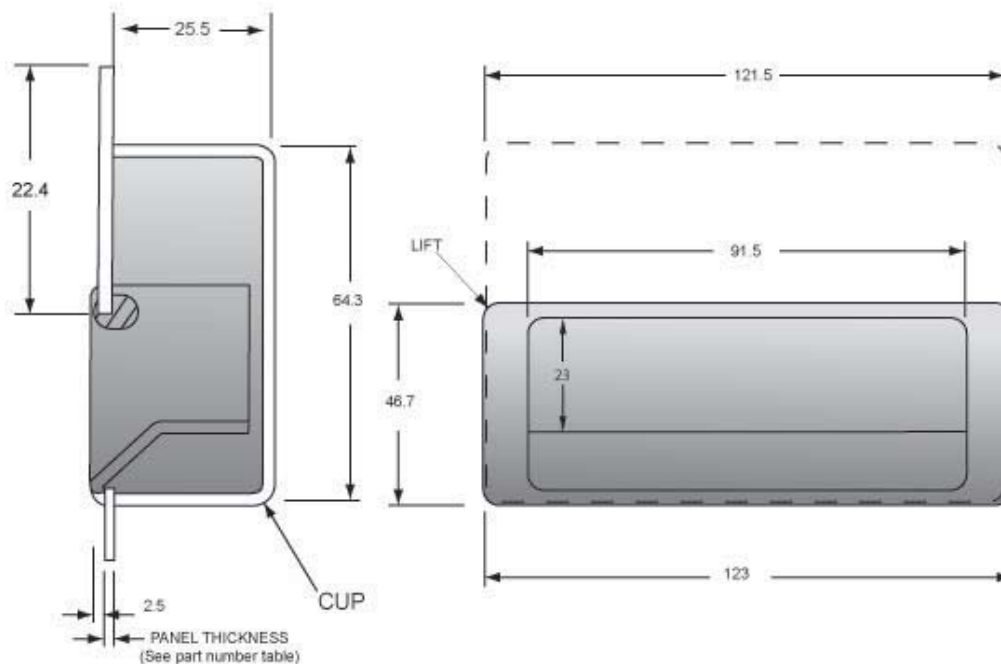
**Screws:** Steel zinc plated plus bright chromatic dip.

**NOTE:** Installation in a panel thickness less than the maximum for each range allows some movement of the pull.

<b>Panel Thickness</b> 1 MIN. 1.8 MAX	
<b>3.P1-30-101-11</b>	<b>3.P1-31</b>
<b>Panel Thickness</b> 1.8 MIN 3.3 MAX	
<b>3.P1-30-103-11</b>	<b>3.P1-33</b>
<b>Panel Thickness</b> 3.3 MIN 4.8 MAX	
<b>3.P1-30-1051-11</b>	<b>3.P1-35</b>
<b>Panel Thickness</b> 4.8 MIN 6.3 MAX	
<b>3.P1-30-107-11</b>	<b>3.P1-37</b>

P1-30 are fire rated to UL94-HB

P1-31 to 37 are fire rated to UL94-VO



<b>HEAD OFFICE</b> T: +61 02 8887 1200 F: +61 02 8887 1249 E: export@uesint.com	<b>NEW SOUTH WALES</b> T: +61 02 8787 6500 F: +61 02 8787 6599 E: uesnw@uesint.com	<b>QUEENSLAND</b> T: +61 07 3623 5800 F: +61 07 3865 5605 E: uesqld@uesint.com	<b>VICTORIA</b> T: +61 03 8787 3100 F: +61 03 8787 3101 E: uesvic@uesint.com	<b>SOUTH AUSTRALIA</b> T: +61 08 8340 1599 F: +61 08 8340 4423 E: uessa@uesint.com	<b>WESTERN AUSTRALIA</b> T: +61 08 9249 2211 F: +61 08 9249 2022 E: ueswa@uesint.com	<b>NORTHERN TERRITORY</b> T: +61 08 8946 4500 F: +61 08 8946 4555 E: uesnt@uesint.com	<b>NEW ZEALAND</b> T: +64 09 633 4019 F: +64 09 633 0249 E: uesnz@uesint.com
--	---	---	---	---	---	--	---

