

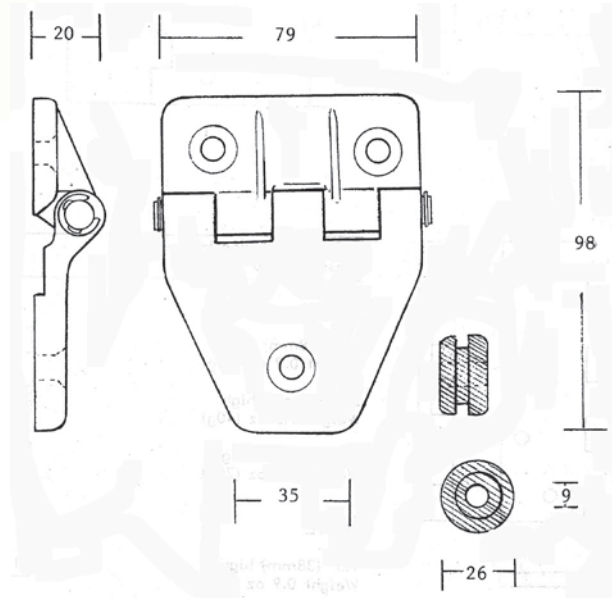
Reinforced Plastic Hinge



2.1350/002

Zinc plated pin. Supplied with grommet and spacer for 5mm glass fixing. Black plastic hinge.

Weight: 100g.



Flush Pin Hinge



Four fixing points drilled and countersunk 4.75mm hole centres 38mm each half. Available in either left or right hand. Chrome plated finish. Made from zinc alloy.

Length: 75mm.

Width: 57mm.

Height: 12.5mm.

Pin size: 6.3mm.

2.1343

Left handed.

2.1345

Right handed.

