

Flush Paddle Locks – Stainless Steel

'Paddles' Slam-Bolt Models

The 'Paddle' concept provides an attractive, fully self-contained lock/latch, which is flush fitting and simple to install. These are the basic slam-bolt models, in either pierced rim or with internal welded studs.



4.9/00408

Non-locking.

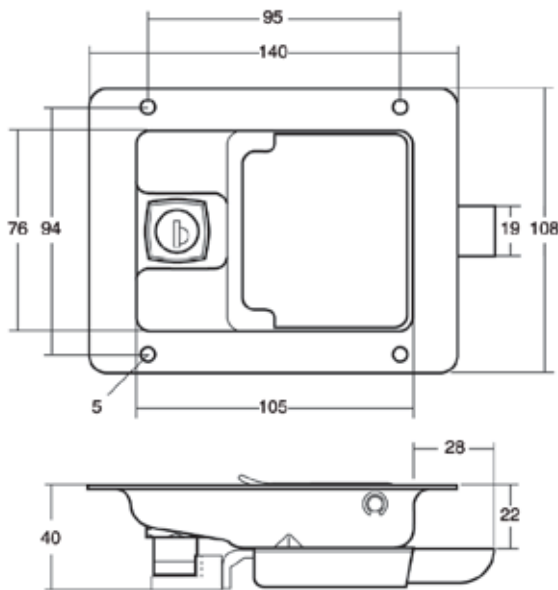


4.9/00418

Locking. 'FS' keys are standard.

4.9/00418/01

Keyed alike. Keyed FS 880.



A knob for inside release can be fitted to all slam-bolt models. This operates even when paddle has been locked from outside. Add suffix 'IR' to part number.



HEAD OFFICE
T: +61 02 8887 1200
F: +61 02 8887 1249
E: export@uesint.com

NEW SOUTH WALES
T: +61 02 8787 6500
F: +61 02 8787 6599
E: uesnsw@uesint.com

QUEENSLAND
T: +61 07 3623 5800
F: +61 07 3865 5605
E: uesqld@uesint.com

VICTORIA
T: +61 03 8787 3100
F: +61 03 8787 3101
E: uesvic@uesint.com

SOUTH AUSTRALIA
T: +61 08 8340 1599
F: +61 08 8340 4423
E: uessa@uesint.com

WESTERN AUSTRALIA
T: +61 08 9249 2211
F: +61 08 9249 2022
E: ueswa@uesint.com

NORTHERN TERRITORY
T: +61 08 8946 4500
F: +61 08 8946 4555
E: uesnt@uesint.com

NEW ZEALAND
T: +64 09 633 4019
F: +64 09 633 0249
E: uesnz@uesint.com