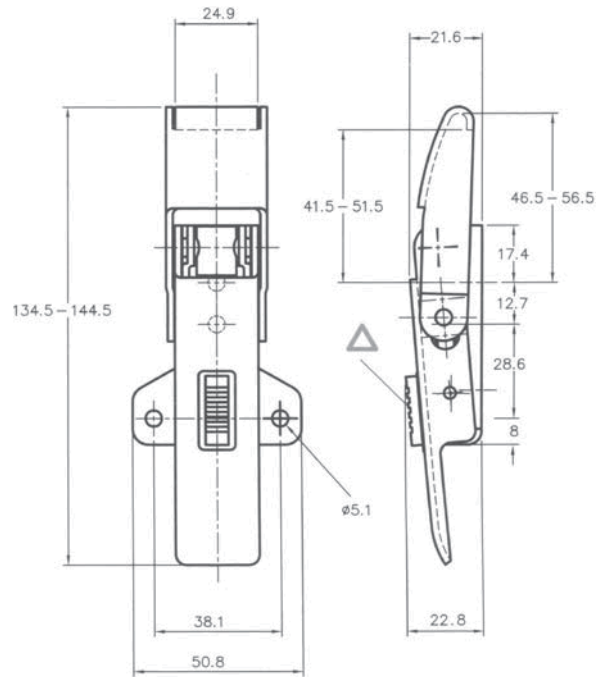


**Fasteners**

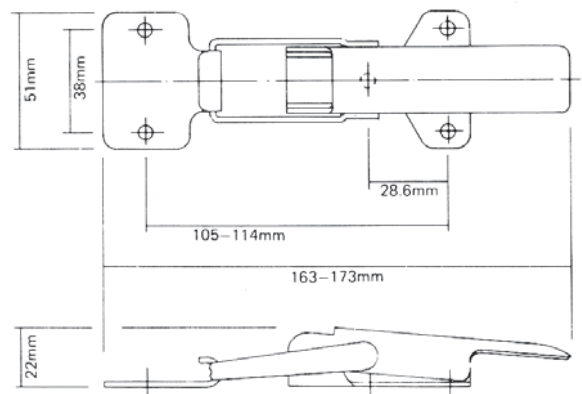


**1.70-575MS** (Less safety catch)

**1.71.575MS** (with safety catch as illustrated)

Large screw adjustable. 10mm screw adjustment. Available in mild steel zinc plated.

C/W hook plate **1.01-575MS**.



**1.71-625MS**

Alternative with open claw with safety catch. Available in mild steel zinc plated. C/W hook plate **1.01-625MS**.



<p>HEAD OFFICE T: +61 02 8887 1200 F: +61 02 8887 1249 E: export@uesint.com</p>	<p>NEW SOUTH WALES T: +61 02 8787 6500 F: +61 02 8787 6599 E: uesnw@uesint.com</p>	<p>QUEENSLAND T: +61 07 3623 5800 F: +61 07 3865 5605 E: uesqld@uesint.com</p>	<p>VICTORIA T: +61 03 8787 3100 F: +61 03 8787 3101 E: uesvic@uesint.com</p>	<p>SOUTH AUSTRALIA T: +61 08 8340 1599 F: +61 08 8340 4423 E: uessa@uesint.com</p>	<p>WESTERN AUSTRALIA T: +61 08 9249 2211 F: +61 08 9249 2022 E: ueswa@uesint.com</p>	<p>NORTHERN TERRITORY T: +61 08 8946 4500 F: +61 08 8946 4555 E: uesnt@uesint.com</p>	<p>NEW ZEALAND T: +64 09 633 4019 F: +64 09 633 0249 E: uesnz@uesint.com</p>
---	--	--	--	--	--	---	--