

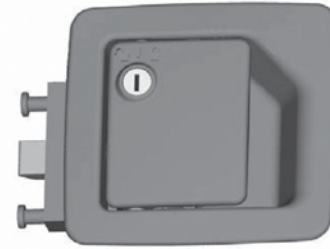
Entrance Locks

Motor home door entrance hardware with dead-bolt action

4.13217-02

Paddle handle-plunger with deadbolt, black powder coated.

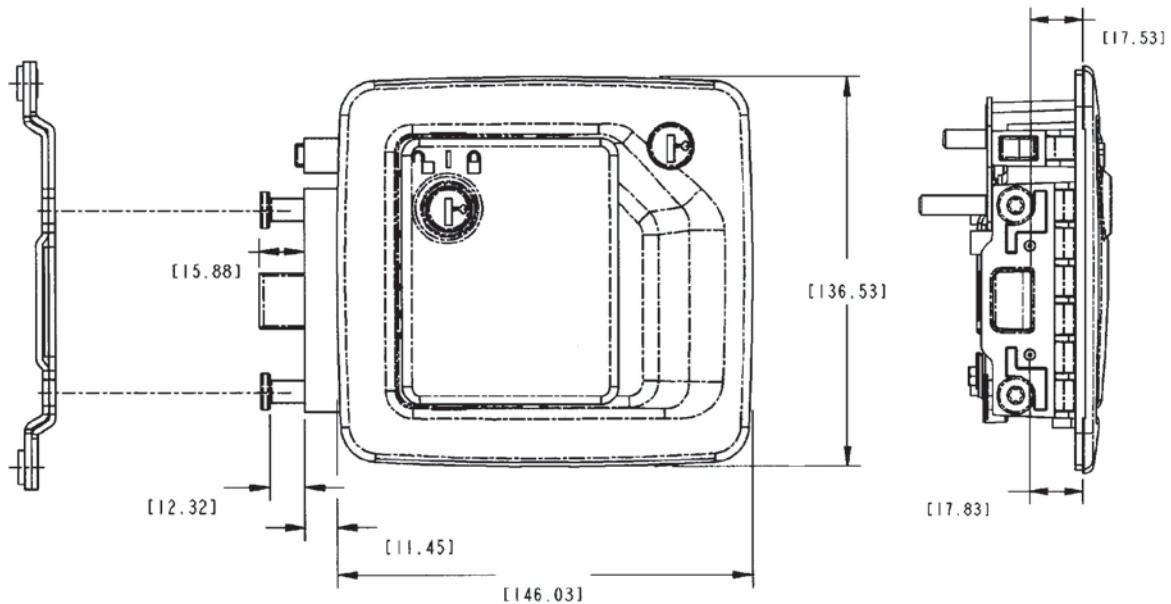
Designed for motor homes, trailers, campers etc for entrance doors. The paddle can be locked before the door is shut. Housing material, inside plates, paddles, plunger bolt etc in zinc die-cast.



Accessories:

4.12480-37

Internal Release



HEAD OFFICE T: +61 02 8887 1200 F: +61 02 8887 1249 E: export@uesint.com	NEW SOUTH WALES T: +61 02 8787 6500 F: +61 02 8787 6599 E: uesnw@uesint.com	QUEENSLAND T: +61 07 3623 5800 F: +61 07 3865 5605 E: uesqld@uesint.com	VICTORIA T: +61 03 8787 3100 F: +61 03 8787 3101 E: uesvic@uesint.com	SOUTH AUSTRALIA T: +61 08 8340 1599 F: +61 08 8340 4423 E: uessa@uesint.com	WESTERN AUSTRALIA T: +61 08 9249 2211 F: +61 08 9249 2022 E: ueswa@uesint.com	NORTHERN TERRITORY T: +61 08 8946 4500 F: +61 08 8946 4555 E: uesnt@uesint.com	NEW ZEALAND T: +64 09 633 4019 F: +64 09 633 0249 E: uesnz@uesint.com
---	--	--	--	--	--	---	--