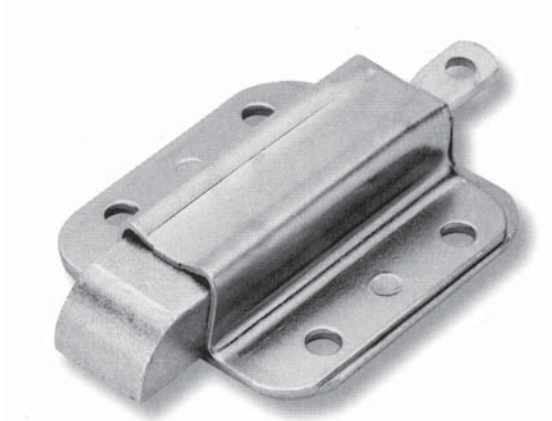


End-Slam Latches [End Bolts]



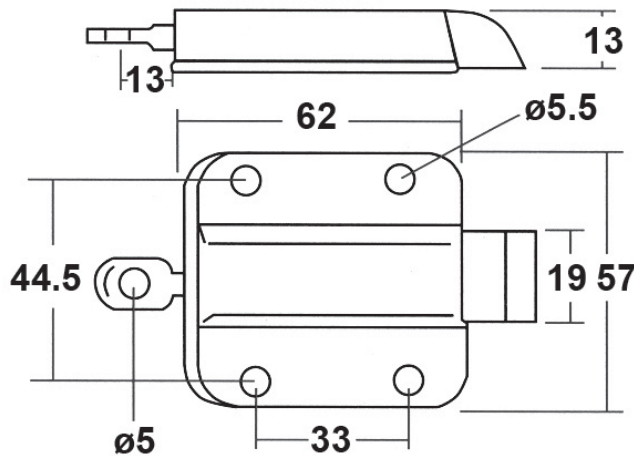
4.3/22387

End latch, nose down, plain pull.

4.9/01187

Stainless steel latch (as 3/22387).

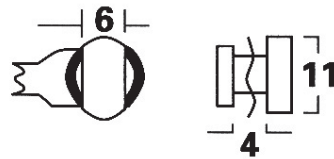
Precision-made latches which have become motor-industry 'standards', with solid, machine-cut steel bolts and 'quick-fit' attachment point if desired. Adjustable bolt-pull allows bolt projection to be varied, and bolts are reversible to 'nose-up' position. Stainless steel models available.



Bolt projection variable, 9-16mm. Minimum load 5kg for full bolt travel. Mild steel model made in CR4. Stainless models in grade 304 with stainless bolt-pull, bolt and spring.

Detail of 'quick-fit' attachment.

The cropped rivet allows fast attachment of link bar as shown. A wave washer prevents rattle and excessive 'play'.



Suggested link bar 3/12497, length 915mm.

Linkage bar is pierced to accept rivet and allow 22mm free movement.



HEAD OFFICE T: +61 02 8887 1200 F: +61 02 8887 1249 E: export@uesint.com	NEW SOUTH WALES T: +61 02 8787 6500 F: +61 02 8787 6599 E: uesnsw@uesint.com	QUEENSLAND T: +61 07 3623 5800 F: +61 07 3865 5605 E: uesqld@uesint.com	VICTORIA T: +61 03 8787 3100 F: +61 03 8787 3101 E: uesvic@uesint.com	SOUTH AUSTRALIA T: +61 08 8340 1599 F: +61 08 8340 4423 E: uessa@uesint.com	WESTERN AUSTRALIA T: +61 08 9249 2211 F: +61 08 9249 2022 E: ueswa@uesint.com	NORTHERN TERRITORY T: +61 08 8946 4500 F: +61 08 8946 4555 E: uesnt@uesint.com	NEW ZEALAND T: +64 09 633 4019 F: +64 09 633 0249 E: uesnz@uesint.com
---	---	--	--	--	--	---	--