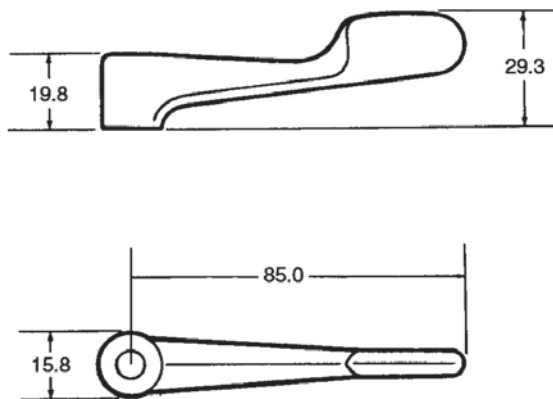
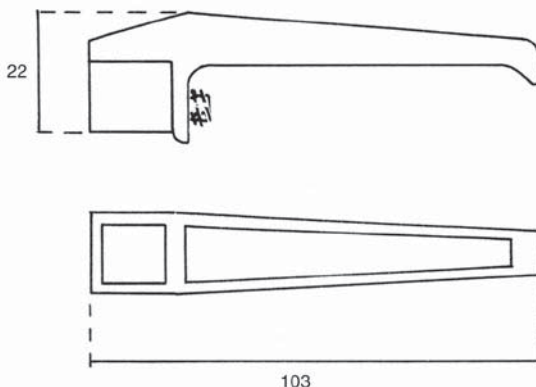


Die-Cast Handles



3.1/5171

Spade-end handle, useful for restricted spaces, die-cast with chrome finish. Max height is 30mm, square core (8mm) normal to axis, length is 85mm.



3.1582

Remote handle, chrome plated.

3.1584

Remote handle, zinc plated.

Chrome Plated 'D' Handles



3.LS507-S75

75mm Stainless Steel D handle.

3.LS507-S100

100mm Stainless Steel D handle.



3.LS511-A75

75mm Chrome plated zinc diecast handle.

3.LS511-A100

100mm Chrome plated zinc diecast handle.

