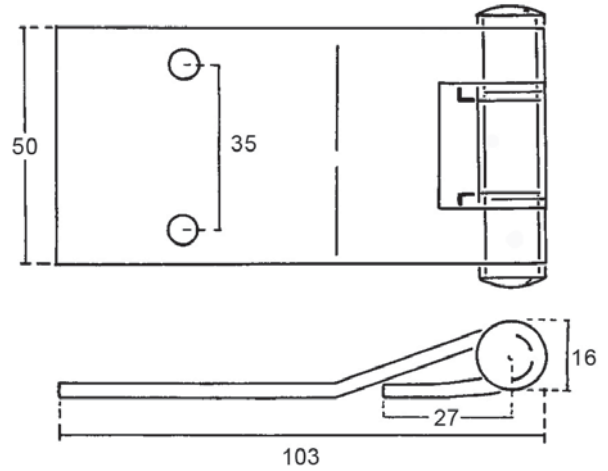


Canopy Hinges



A canopy rear door hinge - suitable for door hinged horizontally and from 35mm to 87.5mm deep. 6mm pin fully enclosed in black nylon bushes - thus easy action and maintenance free. Made from 3mm thick mild steel and with 2 x 6mm holes in short flap both countersunk. 2 x 6mm holes in long flap.

1.0948/002

Zinc plated with stainless steel pin.

2.0948/003

White polycoated with stainless steel pin.

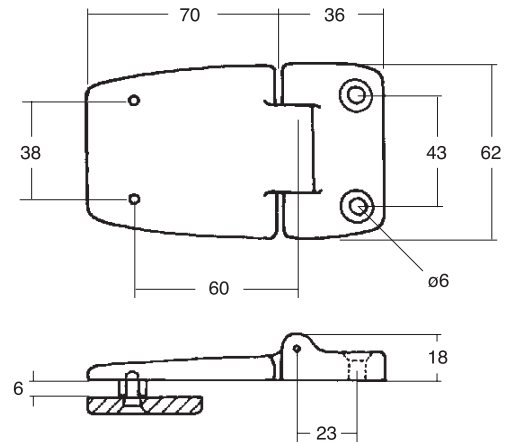
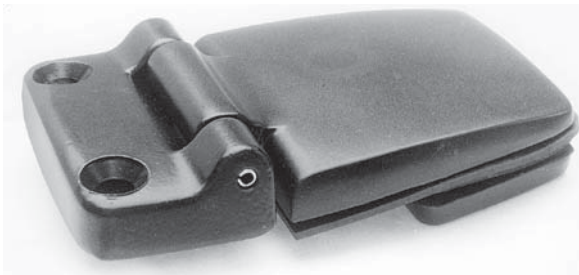
1.0948/004

Chrome plated with stainless steel pin.

2.0948/008

Black polycoated with stainless steel pin.

Die-Cast Hinges



This low-profile design is smart and suitable for cabinets, boot/bonnet and window applications. It is fully plant-on, with open fixing on the bracket but secured on the hinge leaf by two concealed screws into tapped bosses. This design, together with securing plate and rubber gaskets, allows glass to be held without fracture. Angle of opening is 180°, finish is black powered-coated.

2.9/00699

Flat hinge. Screws and gaskets provided.

