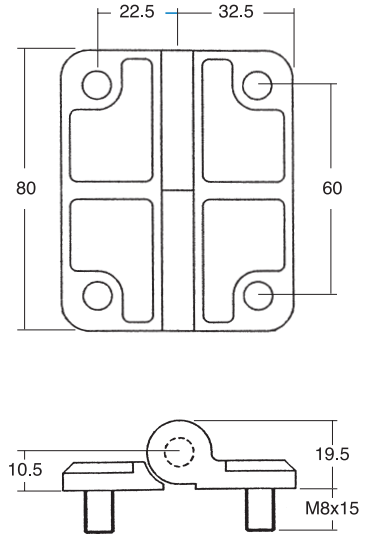
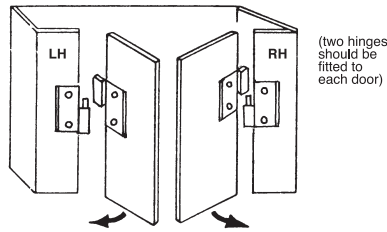


Concealed Hinges



Lift-Off Concealed-Fix Die-Cast Hinges

Zinc alloy die-cast, with 8mm stainless steel pin. Rig-tests show that two hinges (on a 1m frame) carried a load of 100kg without damage, equivalent to a moment of force of 100NM.

2.9/01825

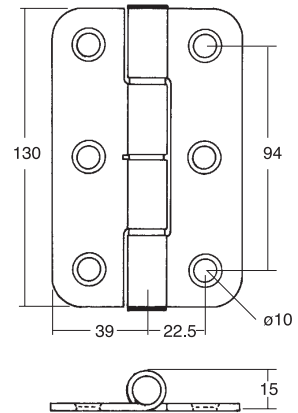
Concealed fix hinge, left hand black.



2.9/01824

Concealed fix hinge, right hand black.

Fixed Pin Hinges



Fixed-Pin Vertical Leaf Hinges

Stainless steel in Grade 304, with stainless steel pin and washers and black moulded end-caps. Rig-test show that two hinges (on a 1 metre frame) carried a load of 100kg without damage, equivalent to a moment of force of 100NM.

2.9/01542

Vertical hinge, stainless steel.



To special order, hinges can be supplied with M8 threaded studs, welded to underside of hinge leaf in same position as normal holes.