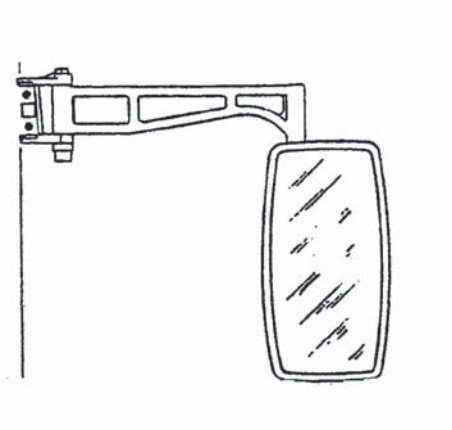


MIRRORS

UES (INT'L) PTY LTD is a broad based supplier of specialised components and assemblies.



Mirrors



9.M714FE

Flat glass with manual adjustment. These mirrors and glasses are available in 24 volt heated versions.

Mirror Body: Impact resistant ABS.

Dimensions: 383mm x 193mm.

Glass Dimensions: 362mm x 174mm.

Fitment: 16mm - 28mm diameter arms.



9.M902FEH

Flat glass and convex spotter electric adjustment. These mirrors and glasses are supplied in 24 volt heated versions.

Mirror Body: aerodynamic style in impact resistant ABS.

Dimensions: 400mm x 210mm.

Glass Dimensions: 255mm x 170mm (main glass), 185mm x 95mm (wide angle glass).

Fitment: 16-28mm diameter arms.

Full range of mirrors and arms. Details available on request.



HEAD OFFICE
T: +61 02 8887 1200
F: +61 02 8887 1249
E: export@uesint.com



NEW SOUTH WALES
T: +61 02 8787 6500
F: +61 02 8787 6599
E: uesnsw@uesint.com



QUEENSLAND
T: +61 07 3623 5800
F: +61 07 3865 5605
E: uesqld@uesint.com



VICTORIA
T: +61 03 8787 3100
F: +61 03 8787 3101
E: uesvic@uesint.com



SOUTH AUSTRALIA
T: +61 08 8340 1599
F: +61 08 8340 4423
E: uessa@uesint.com



WESTERN AUSTRALIA
T: +61 08 9249 2211
F: +61 08 9249 2022
E: ueswa@uesint.com

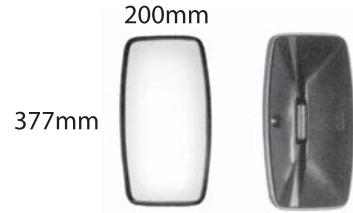
NORTHERN TERRITORY
T: +61 08 8946 4500
F: +61 08 8946 4555
E: uesnt@uesint.com

NEW ZEALAND
T: +64 09 633 4019
F: +64 09 633 0249
E: uesnz@uesint.com

Mirror Heads

9.UES1409

Rear-view mirror, flat glass.
Equivalent to Metagal 9.20-124-00.



9.UES1409C

Rear-view mirror, convex glass.

9.UES1410

Medium rear-view mirror, flat glass.
Equivalent to Metagal 9.20-213-00.

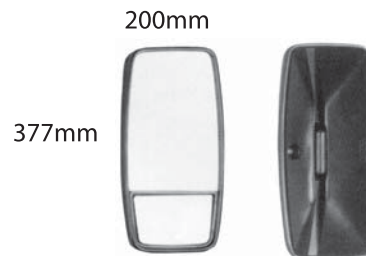


9.UES1410C

Medium rear-view mirror, convex glass.

9.UES1411D

Right hand rear-view mirror, flat glass with convex spotter mirror. Equivalent to Metagal 9.20-718-00.

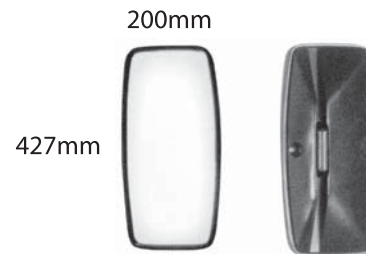


9.UES1411E

Left hand rear-view mirror, flat glass with convex spotter mirror. Equivalent to Metagal 9.20-719-00.

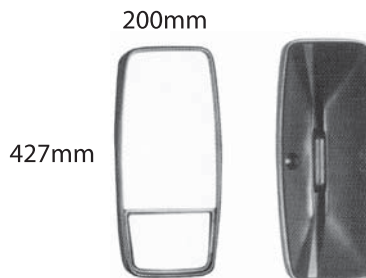
9.UES1415C

Rear-view mirror, convex glass.
Equivalent to Metagal 9.20-529-00.



9.UES1416D

Right hand rear-view mirror, flat glass with convex spotter mirror. Equivalent to Metagal 9.20-720-00.

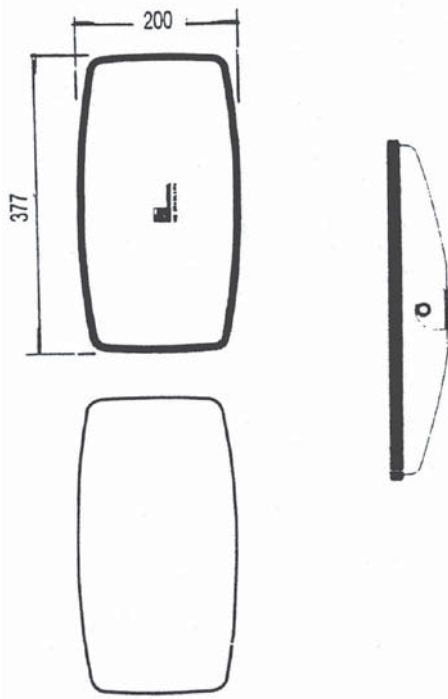


9.UES1416E

Left hand rear-view mirror, flat glass with convex spotter mirror. Equivalent to Metagal 9.20-721-00.



Mirror Heads



9.20-213-00

Flat glass. 181 x 304mm.
P16.

9.20-527-00

Convex glass. 181 x 304mm.
P16.

9.20-124-00

Flat glass. 200 x 377mm.

9.20-519-00

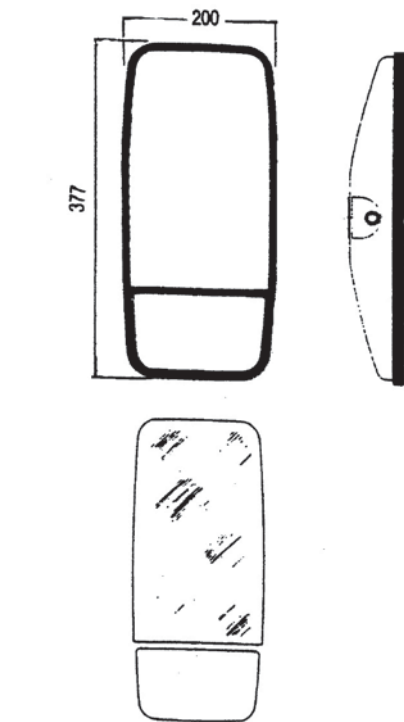
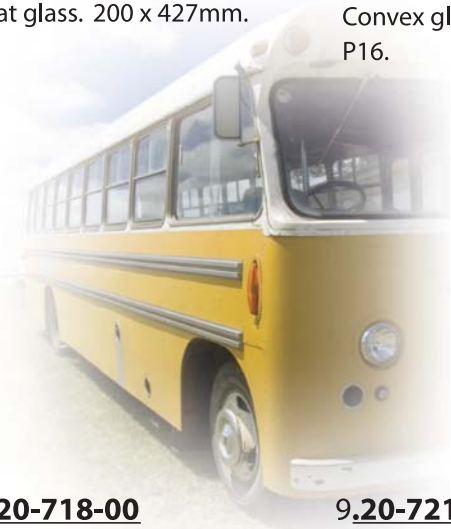
Convex glass. 200 x 307mm.
P16.

9.20-627-00

Flat glass. 200 x 427mm.

9.20-529-00

Convex glass. 200 x 424mm.
P16.



9.20-718-00

RH, 2 in 1 double glass.
Top glass plain/ bottom
Glass Convex: 530mm radius
200 x 377mm. P19.

9.20-721-00

LH, 2 in 1 double glass.
Top glass plain, bottom
Glass Convex: 530mm radius.
200mm x 427mm. P19.

9.20-719-00

LH, 2 in 1 double glass.
Top glass plain / bottom
Glass Convex: 530mm radius
200 x 377mm. P19.

9.20-716-00

RH, 2 in 1 double glass.
Top glass plain/ bottom
Glass Convex: 530mm radius.
220 x 500mm. P22.

9.20-720-00

RH, 2 in 1 double glass.
Top glass plain / bottom
Glass Convex: 530mm radius
200 x 427mm. P19.

9.20-717-00

LH, 2 in 1 double glass.
Top glass plain / bottom
Glass Convex: 530mm radius.
220 x 500mm. P22.

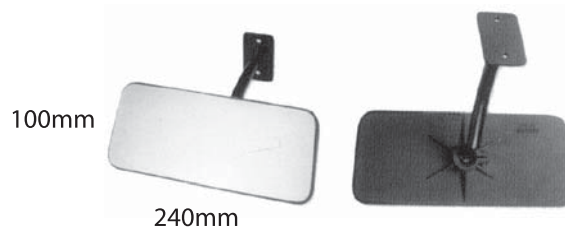
Other sizes and heater options are available on request.



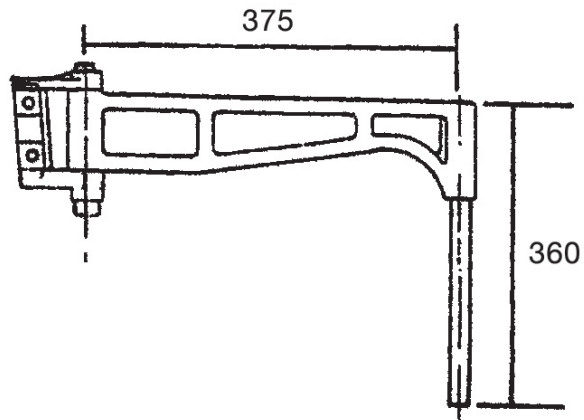
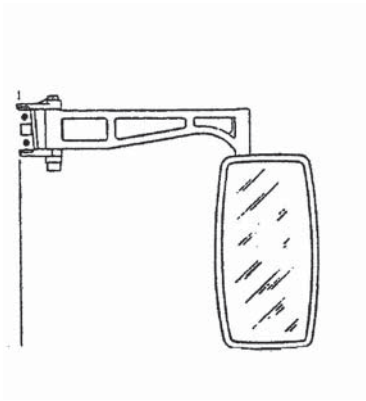
Rear View Mirror

9.1831C

Internal mirror,
convex glass with bracket.

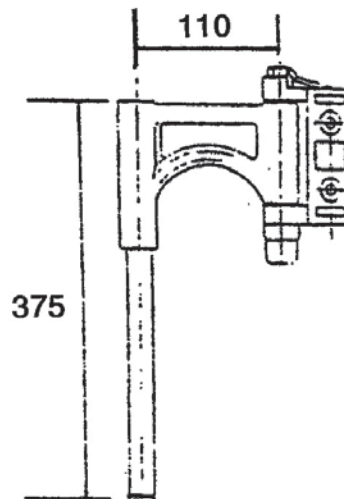
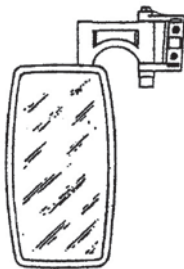


Mirror Arms



9.20-669-00

Long arm.



9.20-355-00

Short arm.



Unbreakable Mirrors



VM1 Series



VM2 Series



VM100 Series

Features

Lenses are manufactured from injection moulded optical grade polycarbonate

Each lens is protected by a special coating, which provides scratch resistance and will repel condensation and surface water.

The lens will not discolour and yellow with the effect of Ultra Violet rays present in sunlight.

The mirror body and damp, produced by moulding specially toughened UV stabilised Polypropylene, are designed to minimise vibration and to cut down wind buffeting.

Model	Heated		Motorised		Class	Mounting Arm Diameters
	12V	24V	12V	24V		
9.VM1					Class II	16mm-32mm
9.VM1H	×	×			Class II	
9.VM1M	×	×	×	×	Class II	16mm-32mm
9.VM2					Class II	10mm-32mm
9.VM3					Class IV	10mm-32mm
9.VM100		×				10mm-32mm
9.VM100H						10mm-32mm
9.VM100M-CMK2		×			Class II	16mm-46mm
9.VM100M-FMK2		×			Class II	16mm-46mm



Unbreakable Mirrors

VM-injection moulded using polycarbonate and lacquer costing. Reflectivity 85%

Lens Radius	VM1-2200mm VM2-1500mm VM3-600mm VM4-300mm VM50-400mm VM100-1600mm		
Sizes	VM1 Series	Body Size in mm	Body Size in mm
	VM2 Series	309 × 209	12.16 × 8.22
	VM3 Series	221 × 159	8.7 × 6.25
	VM4 Series	221 × 159	8.7 × 6.25
	VM100 Series	222 × 222	8.9 × 8.9
	VM50 Series	400 × 197	15.7 × 7.75
		280 × 230	11.02 × 9.05
Body Parts	Body and cap-ultra Violet stabilised polypropylene. Housing-Ultra Violet stabilised glass reinforced nylon. Continuous flat aluminium foil circuit on polyester film.No thermostat required.		
Heaters	VM1	35 watts	Current 12 volt
	VM2	20watts	Current 24 volt
	VM3	20watts	2.91A
	VM4	35watts	1.45A
	VM 50	20watts	1.66A
	VM100	30 watts	0.83A
			0.83A
			2.9A
			1.40A
			1.66A
			0.63A
			1.25A
Motors	Fitted to VM1M & VM4M	12 volt and 24 volt DC	< 130mA (24V)
	Voltage	< 80mA (12V)	< 200mA (24V)
	Current in Travel	< 400mA (12V)	
	Current End Travel	< 20 deg.Total	
	Travel Angle	>21000cycles	
	Motor Life	Din class 0	
	EMI	-40°C to +120°C	
	Working temp.range		
Conductors	All wiring to DEF 61-12 PT 6 Type 2; General inking to BS 4808 16/0.2mm; Heater cables to BS 4808 24/0.2mm		
Temp.Range	All models tested to -30°C to + 80°C		
Weights	VM1	Approx × 1.26kg	
	VM1M	Approx × 0.36kg	
	VM2 and VM3	Approx × 1.00kg	
	VM4	Approx × 1.50kg	
	VM4M	Approx × 1.50kg	
	VM 50	Approx × 0.7kg	
	VM100	Approx × 1.4kg	
Approvals	British standard	ISO BS EN 9001:2000	
	VCA (Vehicle Certification Agency)	Type Approval	
	EEC approvals	EC directive 127/71	
	Electrical Approvals	UL, CSA, VDE	



HEAD OFFICE

T: +61 02 8887 1200

F: +61 02 8887 1249

E: export@uesint.com

NEW SOUTH WALES

T: +61 02 8787 6500

F: +61 02 8787 6599

E: uesnsw@uesint.com

QUEENSLAND

T: +61 07 3623 5800

F: +61 07 3865 5605

E: uesqld@uesint.com

VICTORIA

T: +61 03 8787 3100

F: +61 03 8787 3101

E: uesvic@uesint.com

SOUTH AUSTRALIA

T: +61 08 8340 1599

F: +61 08 8340 4423

E: uessa@uesint.com

WESTERN AUSTRALIA

T: +61 08 9249 2211

F: +61 08 9249 2022

E: ueswa@uesint.com

NORTHERN TERRITORY

T: +61 08 8946 4500

F: +61 08 8946 4555

E: uesnt@uesint.com

NEW ZEALAND

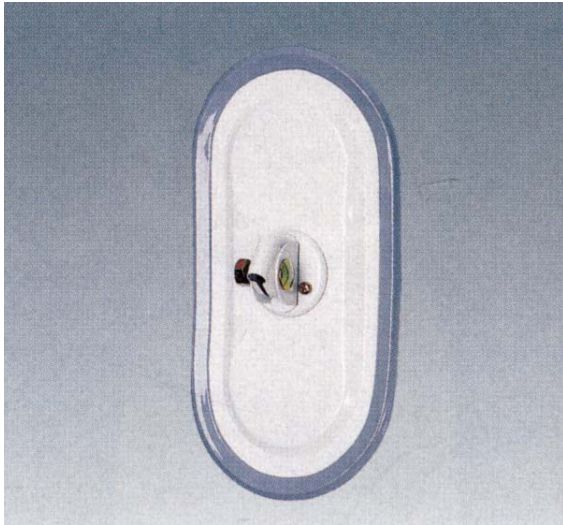
T: +64 09 633 4019

F: +64 09 633 0249

E: uesnz@uesint.com

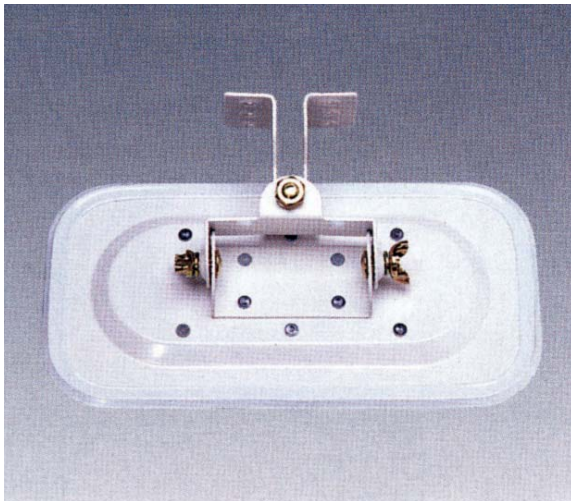


Interior Mirrors



9.DT12

Convex mirror complete with bracket for 12mm diameter arm 285 x 135mm. White.



9.DT201

Flat glass mirror complete with bracket 310 x 160mm. White.



9.DT226

Convex mirror, complete with bracket, 30cm diameter. White.



HEAD OFFICE
T: +61 02 8887 1200
F: +61 02 8887 1249
E: export@uesint.com



NEW SOUTH WALES
T: +61 02 8787 6500
F: +61 02 8787 6599
E: uesnsw@uesint.com



QUEENSLAND
T: +61 07 3623 5800
F: +61 07 3865 5605
E: uesqld@uesint.com



VICTORIA
T: +61 03 8787 3100
F: +61 03 8787 3101
E: uesvic@uesint.com



SOUTH AUSTRALIA
T: +61 08 8340 1599
F: +61 08 8340 4423
E: uessa@uesint.com

WESTERN AUSTRALIA
T: +61 08 9249 2211
F: +61 08 9249 2022
E: ueswa@uesint.com

NORTHERN TERRITORY
T: +61 08 8946 4500
F: +61 08 8946 4555
E: uesnt@uesint.com

NEW ZEALAND
T: +64 09 633 4019
F: +64 09 633 0249
E: uesnz@uesint.com

Mirrors

**Heated, Motorized, Remote Control
Mirrors for Trucks and Buses**



Available in 380mm and 480mm.
A variety of mounting brackets available

9.20-A03-50-24V

Single flat glass, RV 380mm mirror head with heater and power 24v.

9.20-A08-50

RV mirror head RC, 380mm 2 in 1, with heater and power 24v.

Features	Benefits
■ Aerodynamic design.	■ Eliminates air rush noise, optimizes fuel economy.
■ Large upper and lower mirrors.	■ Matched surfaces maximizes rear view.
■ Independent upper and lower mirror movements.	■ Ensures wider view.
■ Four-way motorized remote control adjusts mirrors horizontally and vertically.	■ Fingertip adjustability on left or right side. Make adjustments without leaving your seat.
■ Patented fast warm heater with self-regulating technology.	■ Quick de-icing, defrosting and demisting for safer operation. Constantly maintains optimal temperature to prevent freezing and reduce current consumption.
■ Modular design.	■ Components are easily replaceable.
■ Illuminated heater switch.	■ Easy to locate.
■ Motorized convex lower mirror.	■ Gives safer, wider view.
■ Mounting clamps adjustable to different tubing diameters.	■ Simple installation fits most single or multi-point mounting brackets.
■ Terminated wire ends.	■ Remote switch and illuminated heater 'On' light hook up easily.
■ Durable ABS housing with chrome plated or painted finish.	■ Stylish and long lasting corrosion resistance.



HEAD OFFICE
T: +61 02 8887 1200
F: +61 02 8887 1249
E: export@uesint.com

NEW SOUTH WALES
T: +61 02 8787 6500
F: +61 02 8787 6599
E: uesnsw@uesint.com

QUEENSLAND
T: +61 07 3623 5800
F: +61 07 3865 5605
E: uesqld@uesint.com

VICTORIA
T: +61 03 8787 3100
F: +61 03 8787 3101
E: uesvic@uesint.com

SOUTH AUSTRALIA
T: +61 08 8340 1599
F: +61 08 8340 4423
E: uessa@uesint.com

WESTERN AUSTRALIA
T: +61 08 9249 2211
F: +61 08 9249 2022
E: ueswa@uesint.com

NORTHERN TERRITORY
T: +61 08 8946 4500
F: +61 08 8946 4555
E: uesnt@uesint.com

NEW ZEALAND
T: +64 09 633 4019
F: +64 09 633 0249
E: uesnz@uesint.com

