

Combination Vents

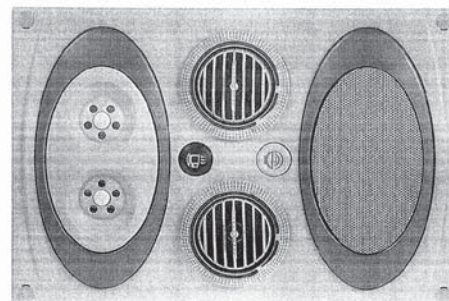
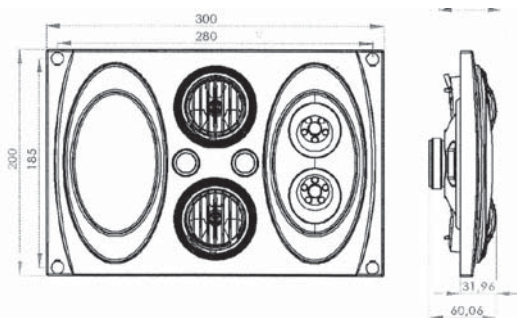
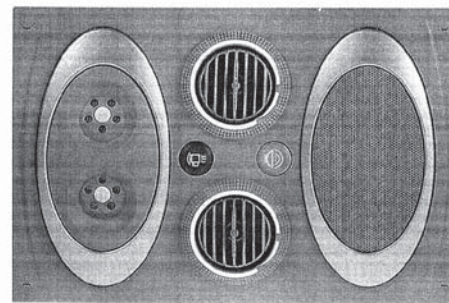
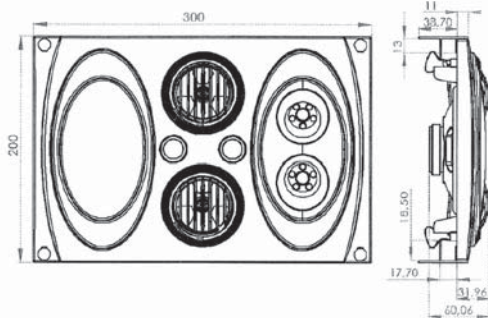
CLED Service Set Series (Reflector Angle; 10°)

RAL 7035	RAL 7040/40	RAL 7042	RAL 7040/43	RAL 7043					
7.06MFU0411-017	7.06MFU0411-013	7.06MFU0411-009	7.06MFU0411-005	7.06MFU0411-001	•		•		•
7.06MFU0411-018	7.06MFU0411-014	7.06MFU0411-010	7.06MFU0411-006	7.06MFU0411-002	•			•	•
7.06MFU0411-019	7.06MFU0411-015	7.06MFU0411-011	7.06MFU0411-007	7.06MFU0411-003	•		•		•
7.06MFU0411-020	7.06MFU0411-016	7.06MFU0411-012	7.06MFU0411-008	7.06MFU0411-004	•			•	•
7.06MFU0412-017	7.06MFU0412-013	7.06MFU0412-009	7.06MFU0412-005	7.06MFU0412-001		•	•		•
7.06MFU0412-018	7.06MFU0412-014	7.06MFU0412-010	7.06MFU0412-006	7.06MFU0412-002		•		•	•
7.06MFU0412-019	7.06MFU0412-015	7.06MFU0412-011	7.06MFU0412-007	7.06MFU0412-003		•	•		•
7.06MFU0412-020	7.06MFU0412-016	7.06MFU0412-012	7.06MFU0412-008	7.06MFU0412-004		•		•	•

The design of the air nozzles over the service sets, gives the passenger full air flow plus direction control and the feeling of personal control over the unit.



Installation by screw	Installation by Clips	Service Call Button	Without Service Call Button	Speaker	Without Speaker
-----------------------	-----------------------	---------------------	-----------------------------	---------	-----------------



The Modular-Complete Service Sets; CLAM and CLED series are supported by matching Spacer Parts, ready for installation at variable lengths, allowing easy adaptation to suit seat-row allocation.

***Please order by length and your choice of colour for the service set. 163mm Spacer Part is not available with Clips Installation type.**



Dimensions for space parts	
DIMENSIONS OUT OF MOULD	ADJUSTABLE DIMENSIONS BY CUT OFF (in mm's)
540	520, 500
440	420
380	360, 340
263	243, 223, 203, 183
260	
163	143, 123, 103
143	123, 103
83	63, 43, 23



HEAD OFFICE T: +61 02 8887 1200 F: +61 02 8887 1249 E: export@uesint.com	NEW SOUTH WALES T: +61 02 8787 6500 F: +61 02 8787 6599 E: uesnsw@uesint.com	QUEENSLAND T: +61 07 3623 5800 F: +61 07 3865 5605 E: uesqld@uesint.com	VICTORIA T: +61 03 8787 3100 F: +61 03 8787 3101 E: uesvic@uesint.com	SOUTH AUSTRALIA T: +61 08 8340 1599 F: +61 08 8340 4423 E: ueessa@uesint.com	WESTERN AUSTRALIA T: +61 08 9249 2211 F: +61 08 9249 2022 E: ueswa@uesint.com	NORTHERN TERRITORY T: +61 08 8946 4500 F: +61 08 8946 4555 E: uesnt@uesint.com	NEW ZEALAND T: +64 09 633 4019 F: +64 09 633 0249 E: uesnz@uesint.com
---	---	--	--	---	--	---	--

